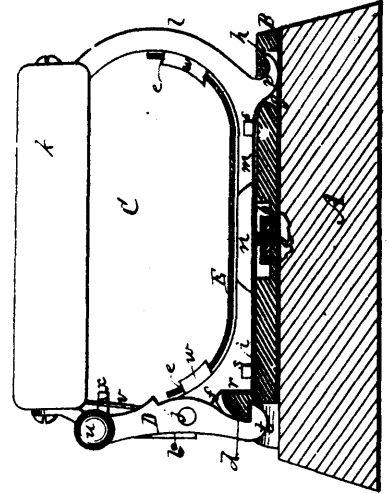


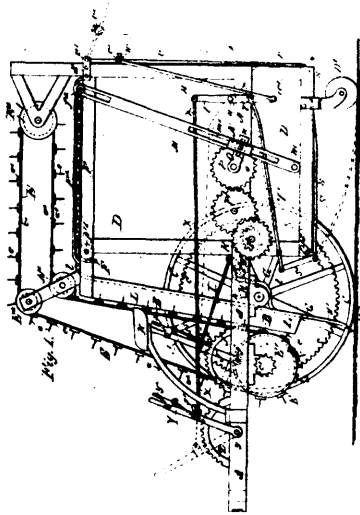
27883 Varney's Pounder Washing Machine.



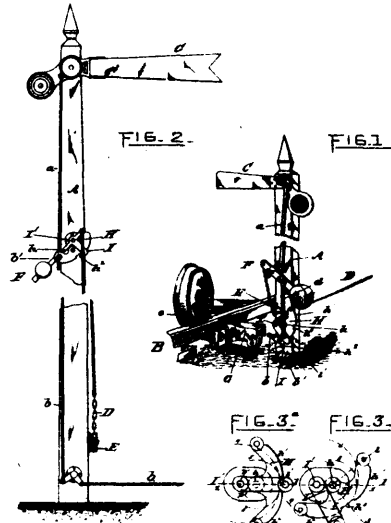
27884 Beall's Grinding Mill.



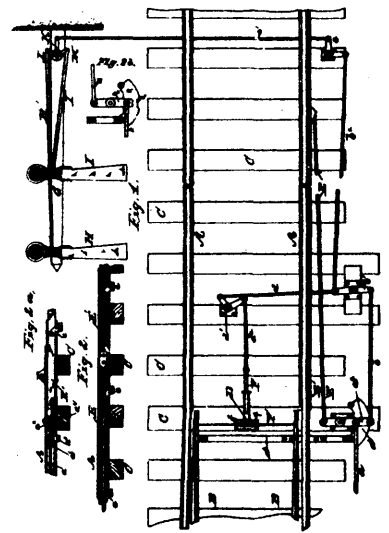
27885 Byam's Sad Iron.



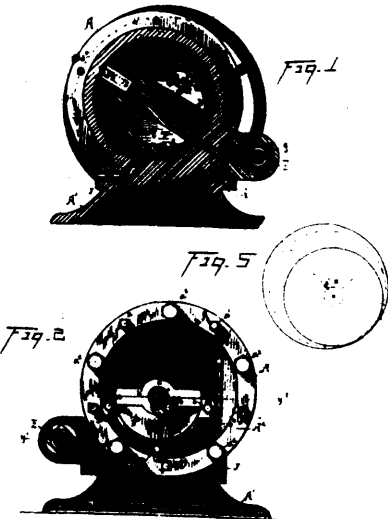
27886 Hale & Harvey's Hay-Cocking Machine.



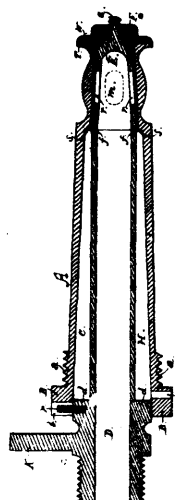
27887 Treacy's Visual and Audible Signal for Railways.



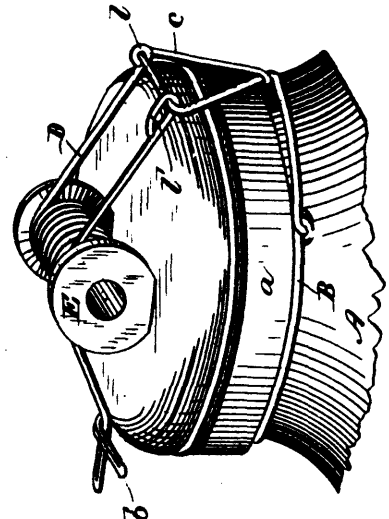
27888 Treacy's Switch and Signal Mechanism.



27890 Washburn's Rotary Engine.



27891 Grossman's Faucet.



27892 Howe's Jar Fastener.