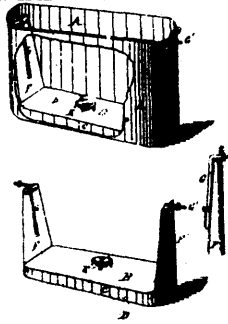
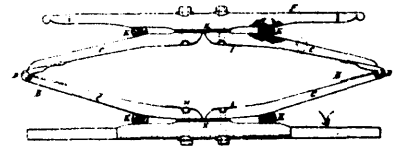


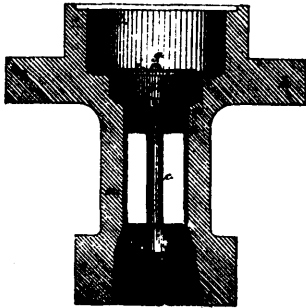
4393 Bennett's Manufacture of Coke and Illuminating Gas.



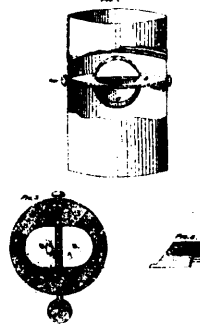
4394 Tilton's Wash Boiler.



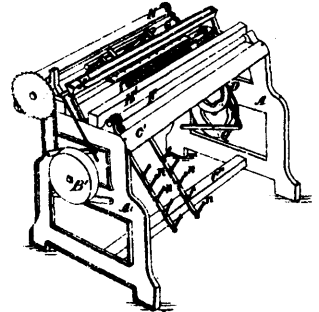
4395 Carpenter's Waggon Spring.



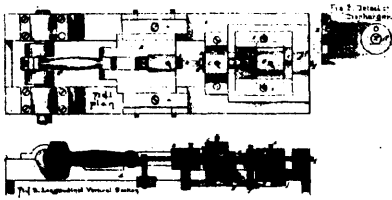
4396 Shaw's Steam, Air and Hydraulic Cushion Seated Valve.



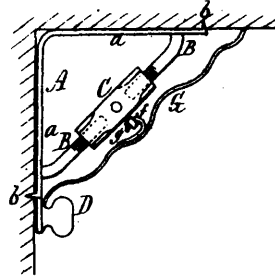
4397 Harris' Stove-pipe Damper and Spark-Arrater.



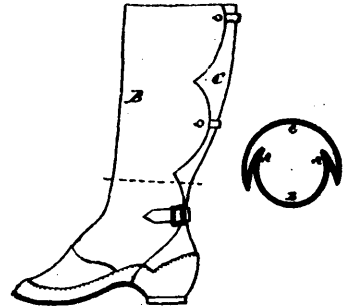
4398 Arnold & Hooper's Machine for Making Netting for Fishing and other purposes.



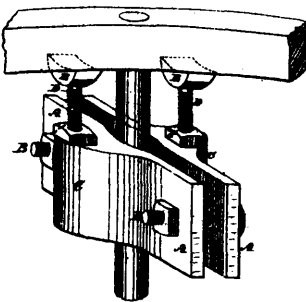
4400 Young's Punching Machine for Washers, &c.



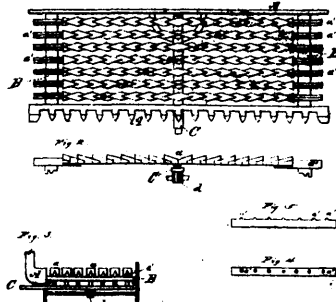
4401 Dobbs & Brayton's Hanger for Picture Frames.



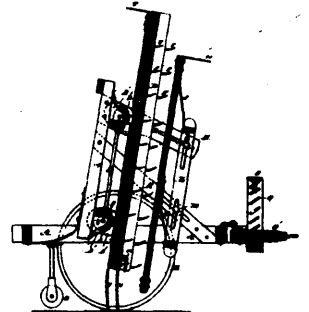
4402 Williams' Rubber Boots.



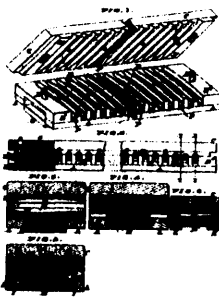
4403 Kent's Tire-tightener.



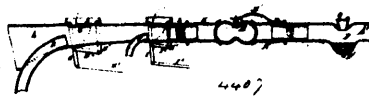
4404 Larkin's Improvements on Grates.



4405 Whitney's Hay-loader.



4406 Dubrul's Cigar Mould.



4407 De Codazo's Smoke and Spark Conveyer for Locomotives.



4408 Williams' Rubber Boot Last.