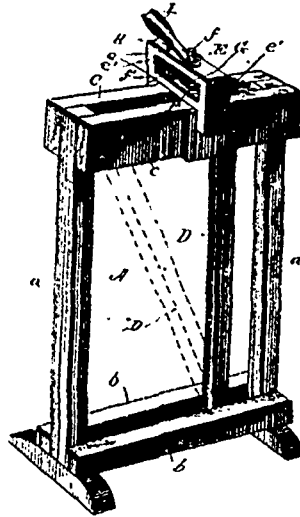
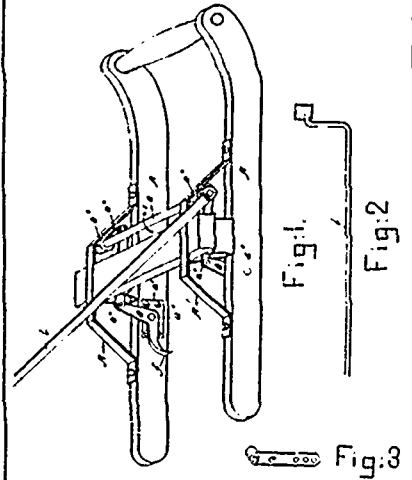


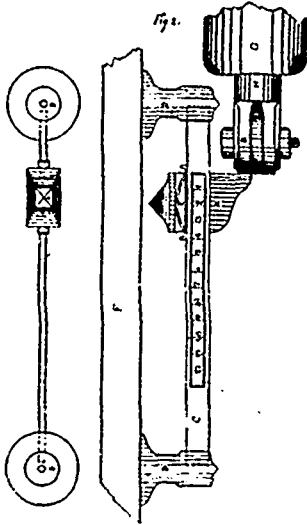
30056 Roberts' Steam Generator.



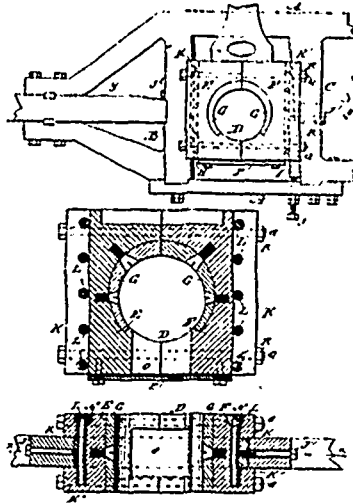
30057 Fairbrother's Cattle Stanchion.



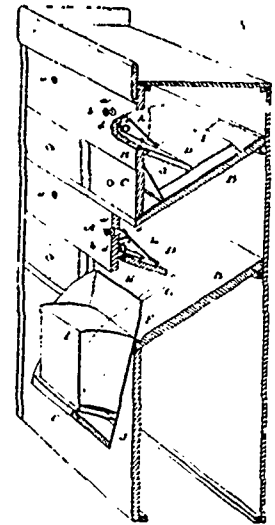
30058 Woodward's Sled Brake.



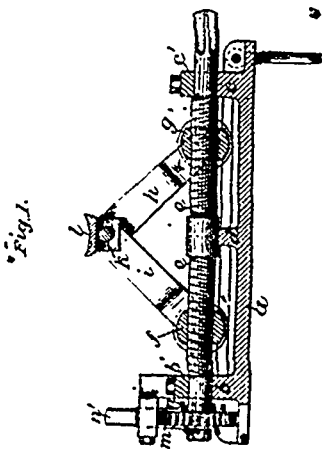
30059 Pott's Registering Gauges for Car Brakes.



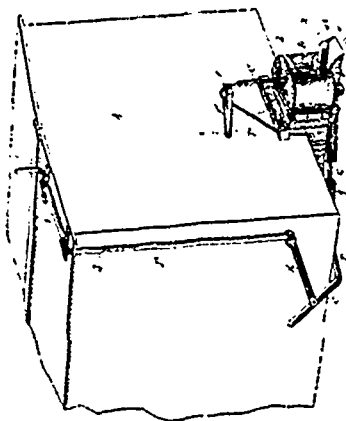
30060 DesBrisay's Axle Box



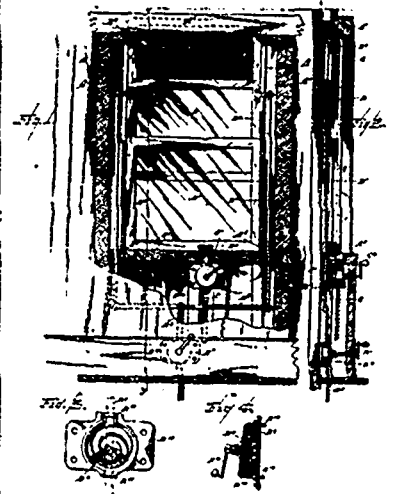
30061 Phillips' Letter and Document File.



30062 Goughly's Lifting Machine for Railways.



30063 Tolier's Car Coupling.



30064 Zetter's Window