

FIG. 4

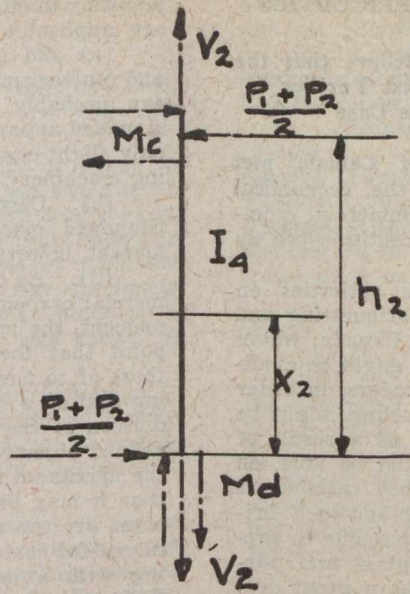


FIG. 5

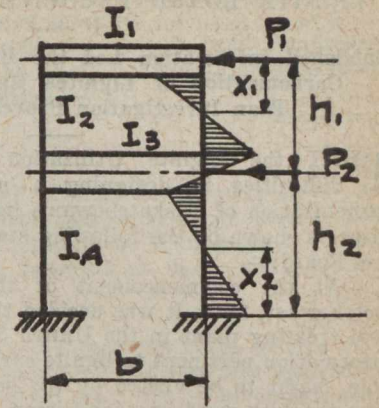


FIG. 6

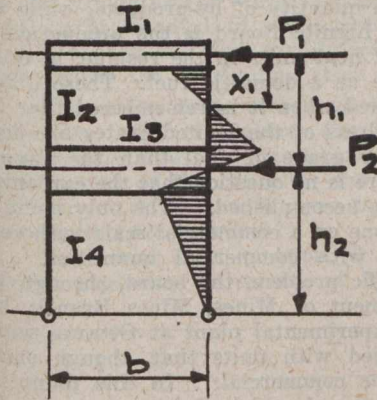


FIG. 7

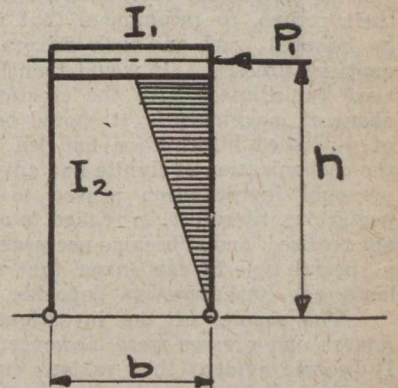


FIG. 9

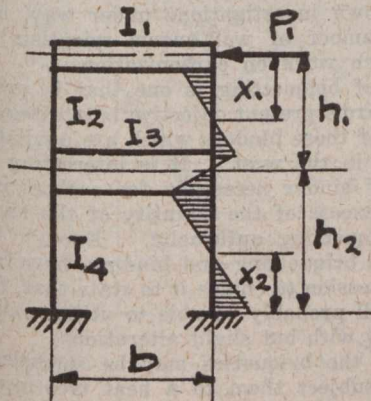


FIG. 10

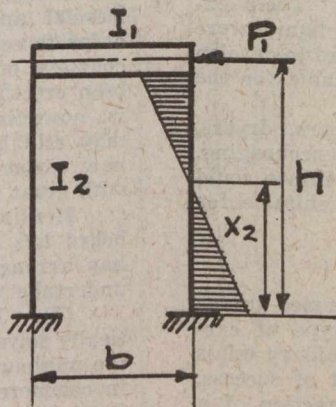


FIG. 8

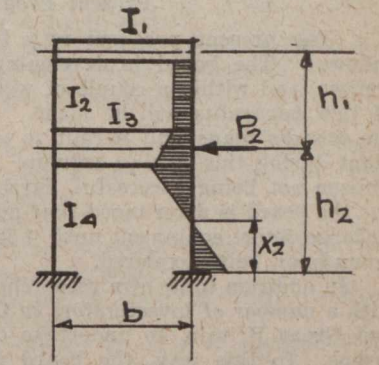


FIG. 12

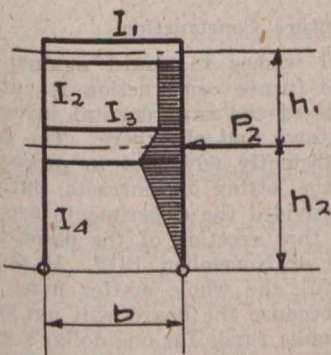


FIG. 13

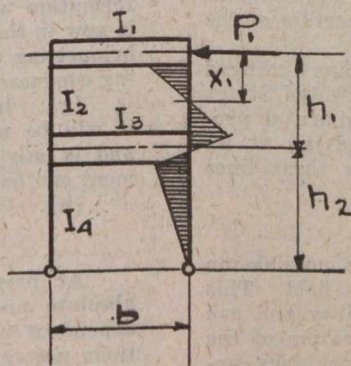


FIG. 11

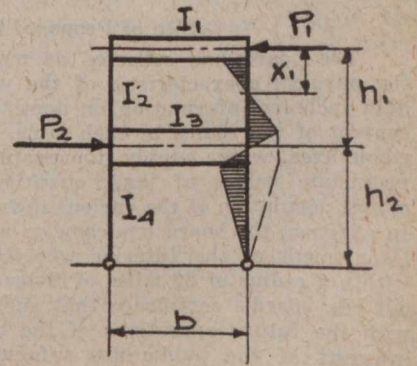


FIG. 15

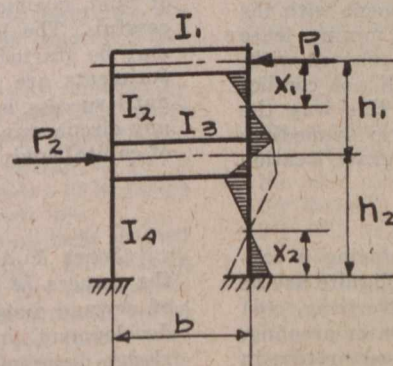


FIG. 14

DIAGRAMS ILLUSTRATING ARTICLE BY E. MAERKER, "FORMULAE FOR ONE-STORY AND TWO-STORY BENTS"

FIGS. 6 TO 15 ILLUSTRATE TEN DIFFERENT CASES—ANALYSIS BASED UPON ELASTIC THEORY OF STRUCTURES