

FAIRBANKS-MORSE

Improved Skidded and Portable Evaporator Tank
GASOLINE ENGINES

These engines are built along the same lines as our Fairbanks-Morse Standard Horizontal Engines, with the exception that our improved Cast Iron Evaporator Tank is cast on top of cylinder, as shown in illustration.

No cooling tank is required, thus overcoming the difficulty of carrying the usual great volume of water. The lubrication difficulties of Air-cooled Engines are overcome in the above, there is very little water in the tank to take off by drain in the cold weather, thus saving time and trouble, and there is no water pump to freeze up. We provide a shield to prevent water splashing out of the Hopper Jacket.

The skidded engine is a very desirable outfit where it is necessary to move the engine, providing a means whereby the engine can be drawn about on its iron-shod runners, or can be placed on a farm truck or a bob-sled.

The engine itself is Fairbanks-Morse in every respect, and ensures to the customers the best there is in Gasoline Engine construction.

Send for our FREE CATALOGUE G E 102, showing our full line of Fairbanks-Morse Vertical and Horizontal Gasoline Engines and Machinery for farm work. It means money saved for you. Write to-day.

The CANADIAN FAIRBANKS CO., Ltd., Montreal.

BRANCHES: St. John, Toronto, Winnipeg, Calgary, Vancouver.

Get More Money For Your Hay

Because of the light hay crop there will be a big demand for well cured and neatly baled hay. Dain-baled hay is preferred by City Dealers, and brings topnotch prices, because the Dain All Steel Pull Power Press compresses hay into smoothest, most compact bales—straight-edged and dust-proof. By selling direct to City Dealer or Exporter you save Middlemen's large profits and expenses. You save freight, too, because perfectly-shaped Dain bales load the car to full capacity—10 tons or more. Only about 8 tons of irregular or ragged bales can be loaded on average car, but railway never charges for less than 10 tons per car.

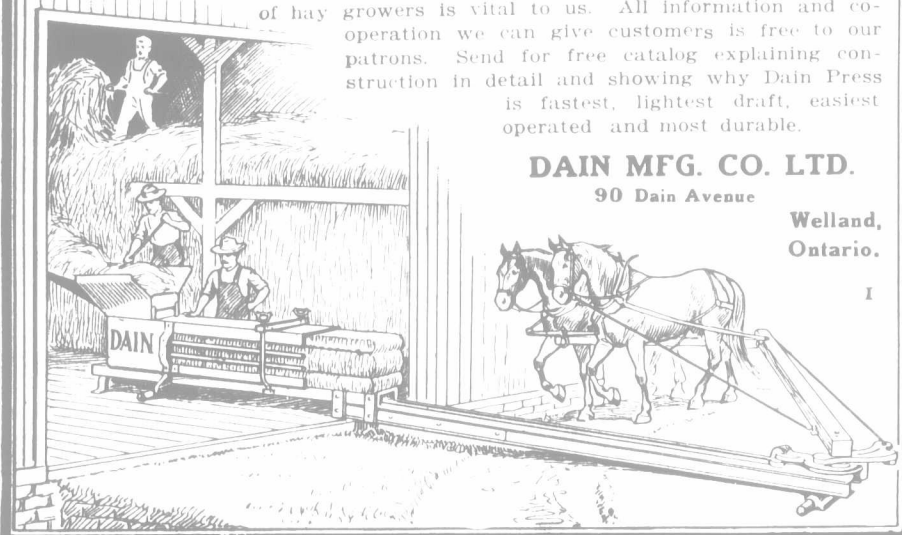
Write to-day and learn about our co-operation plan, free to users of Dain Hay Presses, by which you can secure maximum profits from your hay. Answer following questions so we can advise you intelligently: 1—How many tons of hay have you, and in what condition? 2—How far from railway? 3—Would you like to own Dain Press and bale neighbors' hay as well as your own, or would you prefer some one else to buy, press and bale your hay?

Dain Pull-Power Press

One horse, two horse, and Belt Driver; several sizes in each style. A Dain Press to suit every pocketbook. We are the largest hay-tool makers in the world. Success of hay growers is vital to us. All information and co-operation we can give customers is free to our patrons. Send for free catalog explaining construction in detail and showing why Dain Press is fastest, lightest draft, easiest operated and most durable.

DAIN MFG. CO. LTD.
90 Dain Avenue

Welland,
Ontario.



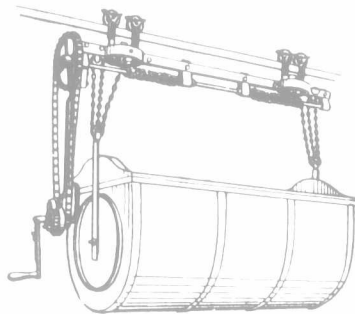
SAVE TIME WITH

BEATH

Feed and Litter Carrier

Time is money—and the Beath Feed and Litter Carrier will earn big dividends in the time it will save you. No other so simple in construction, so sure and easy in operation. None so well made or so durable. Catalogue explains its superiority in detail. Send for a copy and get posted on this great labor-saving device.

W. D. BEATH & SON, Toronto, Ontario.



Subscribe for The Farmer's Advocate

A Foolish Question

SHALL IT BE A

De Laval Cream Separator

Or an Imitation?

1,000,000 De Laval Separators Sold



THE DE LAVAL SEPARATOR CO.

173-177 William Street, :: :: MONTREAL
VANCOUVER WINNIPEG

IDEAL GASOLINE ENGINES

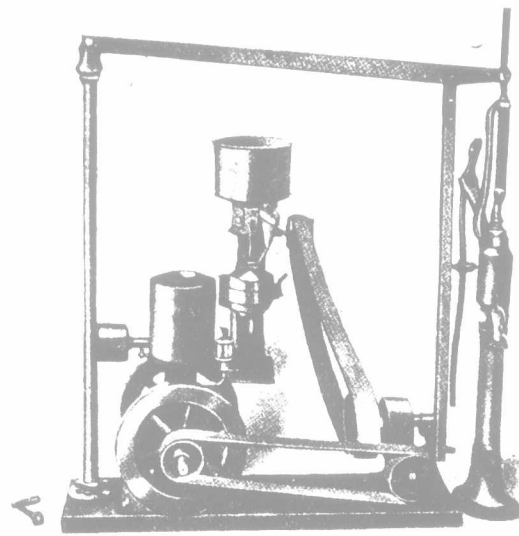
1½ TO 40 HORSE-POWER.

Windmills,
Grain Grinders,
Pumps,
Tanks,
Water Boxes,
Concrete Mixers,
Etc., Etc.

Send for catalogue.

GOOLD, SHAPLEY &
MUIR CO.,
LIMITED.

Brantford, Canada.



Teach Your Boy to Save

Start a bank account for your boy. Let him form the savings habit while young, and there is little likelihood he will turn out a spendthrift later on. We pay 3½% interest, according to agreement, and offer you \$2,000,000 assets as security.

3½% Agricultural Savings & Loan Co.
109 Dundas Street. LONDON, ONTARIO.