

---

---

# **FLEXIBLE METALIC HOSE**

---

---



**T**HIS Hose is made entirely of metal; there is NO rubber in connection with it. It will therefore stand ANY pressure of steam. It is at the same time as flexible as rubber steam hose, and with proper care it will last many years.

This Hose is made in sizes from  $\frac{1}{4}$  inch to 8 inches inclusive, and can be made to stand 2,000 (two thousand) pounds pressure to the square inch.

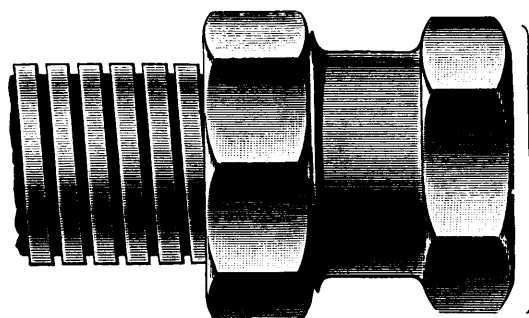
---

---

**This Hose can be readily connected to Iron Pipe.**

---

---



**Screwed for Standard  
Iron Pipe Thread.**

We supply for this Hose the usual Rock Drill Hose Connections, or any other special connections which may be required.

We have just introduced this Hose in this country, and miners who have seen it are taking to it like a mouse to cheese.

---

---

**Write to us for catalogue and particulars.**

---

---

We carry stock to  $2\frac{1}{2}$  inches diameter, and can import larger sizes.

## **A. R. WILLIAMS & CO.**

**320 St. James Street,**

**MONTREAL, Que.**