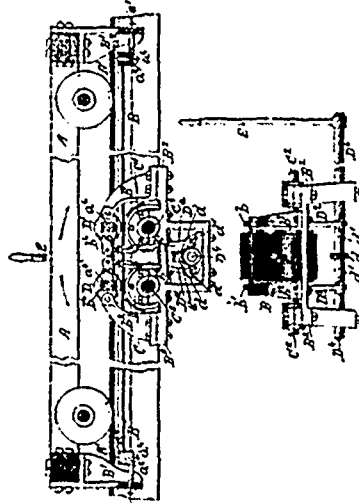
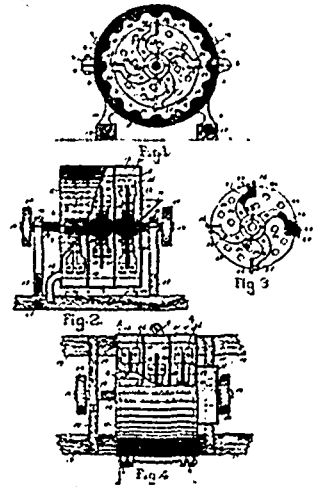


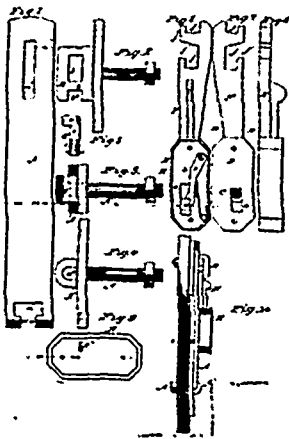
29020 Phillips' Can Opener.



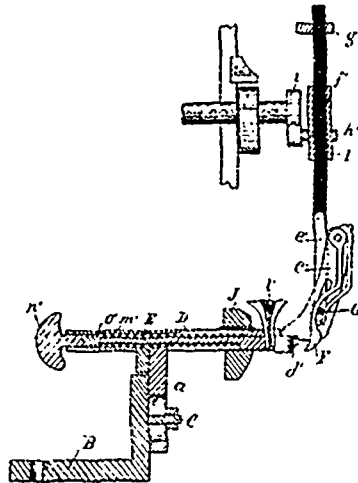
29021 Hoffman's Feed Mechanism for Saw Mill Carriages.



29022 Eames' Oro Pulverizer.



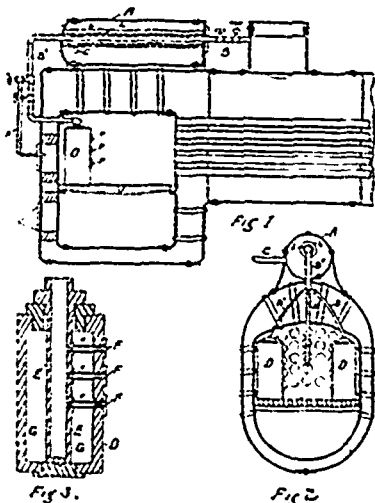
29023 Leonard's Hasp Lock.



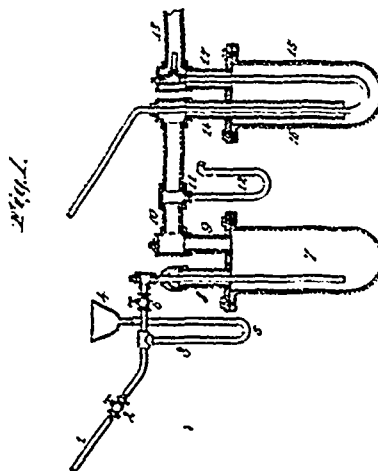
29024 Fréchet's Lasting Machine.



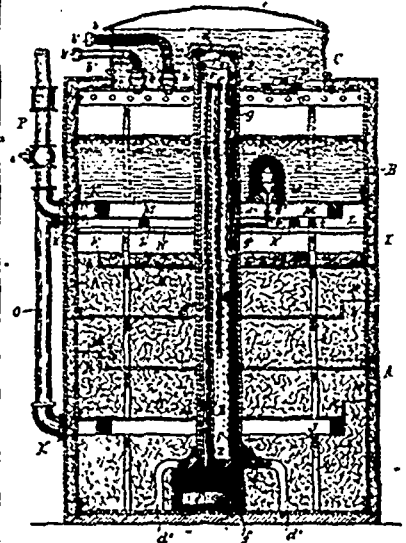
29025 Campbell's Hair Curling and Crimping Device.



29026 Livingston's Apparatus for Saturating Steam with Hydro-Carbons, etc



29027 Myers & Altice's Apparatus for Manufacturing Gas



29028 Lawrence's Gas Carburettor.