

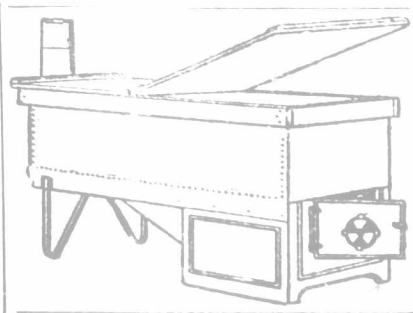
THE
Excelsior Life
INSURANCE CO.
Head Office: - - Toronto, Ont.
Absolute Protection. Profitable Investment. Agents wanted.

No. 3 "Prize"
Best Feed Grinder Money Can Buy for Operation with Gasoline or Steam Engine, Tread Power, Power Wind Mill, etc.
WHY? Because it makes splendid feed, table meal or graham flour, has ample capacity for 4 or 5 horse power, and an automatic feed regulator, which prevents its choking down the lightest power; is built throughout of iron and steel and will last a life-time. Thousands in use for 10 and 15 years still as good as new. We make 25 sizes and styles of Feed Grinders, including the only really successful Oats and Oat, and Corn, Cob and Buck Feed Grinders. Also a full line of Ensilage and Fodder Cutters, Huskers, Shellers, Wood Saws, Sweep Horse Powers, Tread Horse Powers, Wind Mills, etc.
Write to-day for free catalogue.
APPLETON MFG. CO., 53 Fargo St., Batavia Ill.

A BARGAIN
One 2-horse Tread Power.
No. 7 Alexandra Separator.
No. 6 Daisy Churn.
With shafting and belting, complete. For prices write—
W. C. SHEARER, BRIGHT, ONT.

WALKERVILLE WAGONS
ARE THE BEST
Walkerville Wagon Co. LIMITED
WALKERVILLE, ONT.
WRITE FOR CATALOGS.

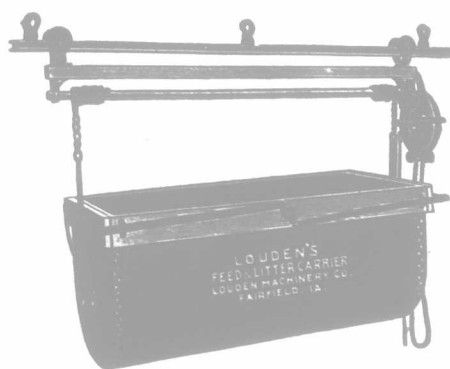
The Elmira Food Boiler



It is—
**SIMPLE,
DURABLE,
ECONOMICAL
AND CHEAP.**

Constructed of heavy galvanized sheet steel and cast iron. Will burn wood or soft coal without changing grates. You will save over 25% by cooking feed for hogs or stock. Built in three sizes—40, 90, and 125 gallon capacity. Write for prices.

The **ELMIRA AGRICULTURAL WORKS CO., Limited,**
ELMIRA, ONT.



YOU NEED THIS.
No modern cow stable is complete without
LOUDEN'S FEED AND LITTER CARRIER
Hundreds of them in use and all giving satisfaction. By using our Double-Beaded Steel Track you can curve it in any direction, and we also make switches so that it can be used with any number of rows of animals. Write for circulars and prices.
We also make the best line of Hay Carriers and Barn-Door Hangers in Canada. Agents wanted.
LOUDEN MACHINERY CO.,
WINDSOR, ONT.



FREE VIOLIN.
Powerful Sweet Tone with strings and bow, full size, Stradivarius model, made of selected wood, with highly-polished top, inlaid edges and ebony-finished trimmings, given for doing 3 things: (1) selling at 10c. each, 15 packages of Lemon, Vanilla and Almond Flavoring Powders; (2) getting 3 more agents to do the same, or by selling 21 dozen yourself. Each package equals 2c. worth of Liquid Flavoring and is far better. Everybody buys. You can earn this Grand Concert Violin in a few minutes. Write to-day and we will send the Flavoring Powders postpaid.
THE HOME ART CO., DEPT. 576, TORONTO, ONTARIO.

A MACHINE
to weave your own fence of
Called Hard Steel
Spring Wire,
32 inches high, at
25 Cts. Per ROD.
825 buys wire for 100-
Rod Fences. Agents
Wanted. Catalogue Free.
OARTEE
Wire Fence Machine Co.
Box B
Elgctown, Ont.



ROCK SALT for horses and cattle, in ton and car lots.
Toronto Salt Works, Toronto.

Save Your Fruit

and dry it with
Champion Fruit Evaporator.
Dries all kinds of fruit and vegetables, producing a superior quality of clean white fruit. It is made of galvanized iron, is lined throughout with asbestos, is fireproof and portable. Made in live sizes.
Catalogue for the asking.

THE GRIMM MFG. CO.,
64 WELLINGTON STREET, MONTREAL.

Catalogue Printing Our Specialty.
Many of the best Catalogues in Canada are produced by us. Latest type faces, designs, ornaments, and modern machinery. — Best in America. Up-to-date covers designed by special artists without extra charge.
London Printing & Litho. Company, Ltd.,
LONDON, ONTARIO.



The Entire Family Enjoys The Berliner Gram-o-phone!

The Berliner GRAM-O-PHONE

Is an Enjoyable ENTERTAINER for Every Member of the Family.

Nursery rhymes, lullabies for the little tots; band and banjo music, comic songs, minstrel shows and choruses, and music and songs from the latest light operas for the young men; violin, guitar, mandolin and piano music, and sentimental and operatic songs for the young ladies; orchestral music, grand opera, songs of Scotland and Ireland, and choir and church music for the old folks, and hundreds of other instrumental and vocal selections that will enjoyably entertain the entire family and their friends. We're always adding something new. The Berliner Gram-o-phone is the only talking machine made in Canada, and guaranteed for five years.
Our new "Automatic Sound Box" gives the Gram-o-phone undoubted precedence over all other talking machines, no matter what the price. **RECORDS—50c. each; \$5.00 a dozen.** Records are sold for cash only—practically indestructible

Here Are a Few of Our New Records. There Are Over a Thousand More:

- BAND RECORDS.**
- 64 At a Georgia Camp Meeting.
 - 82 Whistling Rufus.
 - 105 Nearer, My God, to Thee.
 - 187 Imperial Edward March.
 - 208 A Mosquito Parade.
 - 300 Washington Post March.
 - 482 Blue Danube Waltz.
 - 578 God Save the King.
 - 803 Reminiscences of Scotland.
 - 808 Bonnie Brier Bush March.
 - 807 Soldiers of the Queen.
 - 805 The Maple Leaf.
 - 810 John Anderson, My Joe.
 - 806 Scotland's Pride.
 - 821 Lancers, 1st and 2nd Figures.
 - 822 " 3rd and 4th Figures.

- 823 Lancers, 5th Figure.
 - 824 Quadrille, 1st and 2nd.
 - 825 " 3rd and 4th.
 - 826 " 5th.
 - 203 Wearing of the Green.
 - 555 Scots Wha Hae.
- SONGS.**
- 696 Good-Bye, Dolly Gray.
 - 750 When the Roses Bloom Again.
 - 273 Sweet Annie Moore.
 - 735 The Blue and the Gray.
 - 134 Where is My Wandering Boy To-night
 - 131 Stay in Your Own Back Yard.
 - 432 In the Golden Field of Grain.
 - 66 The Bridge.
 - 204 All Hail the Power of Jesus' Name.
 - 109 Private Tommy Atkins.

- 309 Whistling Mike.
 - 310 Whistling Coon.
 - 453 And Her Golden Hair was Hanging.
- RECITATIONS.**
- 266 Auction Sale of Household Goods.
 - 268 Scene at a Dog Fight.
 - 263 Sermon on the Mount.
 - 552 23rd Psalm and Lord's Prayer.
- VOCAL QUARTETS.**
- 495 Blue Bells of Scotland.
 - 483 My Faith Looks Up to Thee.
 - 383 The Holy City.
 - 754 In the Sweet Bye-and-Bye.
 - 36 Evening Prayer.
 - 80 I've Gwine Back to Dixie.

- COON AND COMIC SONGS.**
- 727 Coon, Coon, Coon.
 - 725 Hear Dem Bells.
 - 722 Turkey in de Straw.
 - 282 Just Because She Made Dem Goo-Goo Eyes.
 - 731 Good Morning, Carrie.
 - 788 Bill Bally, Won't You Please Come Home!
 - 674 My Dinah.
 - 504 A Little Bit Off the Top.
 - 733 When Mr. Shakespeare Comes to Town.
 - 339 The Mick Who Threw the Brick.
- These are only a few of over a thousand records. Piano, Violin, Cornet, Trombone, Banjo, Mandolin, Flute, Piccolo, Chime Bells, Church Choir and other records. We'll be pleased to send you a complete catalogue.

Send your order for additional Records when ordering the **GRAM-O-PHONE**, thus saving time and express charges.

OUR SPECIAL EASY-PAYMENT OFFER.

As the orders keep pouring in, we have decided to continue our easy-payment plan. Send us one dollar with this coupon, promising, if the Gram-o-phone proves satisfactory after six days' trial, to pay two dollars a month for eight months, and we will ship you at once a genuine **Berliner Gram-o-phone, type "A,"** with three records of your own choice free. Enclose two dollars extra if you want spun-brass horn.

GIVE OUR OFFER A THOROUGH TEST.

Description of Berliner Gram-o-phone.

Cabinet—Quartered oak, highly finished.
Horn—16 inches long, 10-inch bell.
Finish—All exposed heavily nickel-plated.
Sound Box—The Improved Automatic Concert Sound Box
Needles—200 free.
Records—Three 7-inch records free.
Guarantee—Written guarantee for 5 years.
Weight—Completely boxed, 25 lbs.

CASH PRICE.
With Japanned Steel Horn, \$15. With Spun-Brass Horn, \$17.

EASY-PAYMENT PRICE.
With Japanned Steel Horn, \$17. With Spun-Brass Horn, \$19.

E. BERLINER, 2315-19 St. Catherine St., MONTREAL.
EMANUEL BLOUT, Manager for Canada.

E. BERLINER, F. A.
2315-19 St. Catherine St., Montreal, P. Q.
Enclosed find one dollar in payment on the Standard Berliner Gram-o-phone, type A, complete, with 16-inch Japanned concert horn and three records. If satisfactory after five days' trial, I agree to pay eight monthly payments of two dollars each. If not satisfactory, I will return the Gram-o-phone and this order is null and void.

Name.....
Occupation.....
P. O. Address.....
Express Office.....
Township.....
Province.....

If you wish a spun-brass horn in-tead of the japanned horn, enclose two dollars extra.
Also send free of charge the following three records:
No..... No..... No.....