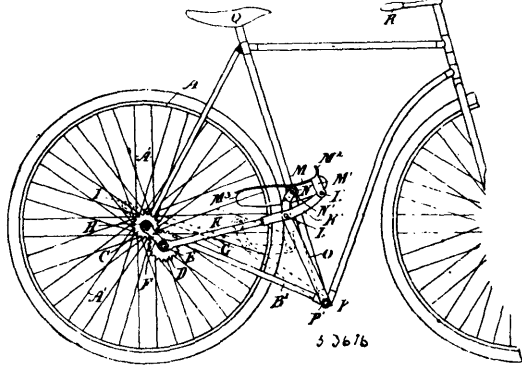


connecting rods G and K, foot-pedals M M, and rocking lever as O, said lever being provided with an antifriction roller as N, sub-



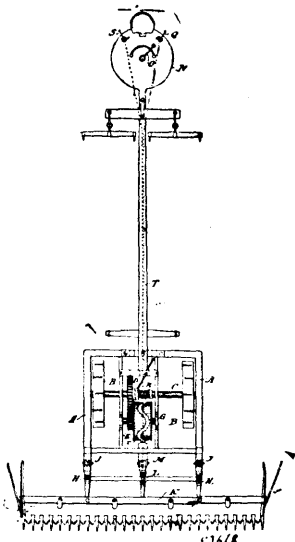
stantially as and for the purposes set forth. 3rd. In driving mechanism of bicycles and the like machines, the general combination and arrangement of the whole of the parts substantially as herein described, forming my complete driving mechanism for bicycles and the like machines, substantially as illustrated on the accompanying drawings.

No. 53,617. Mixture for Treating Vegetable Fibre.
(*Mélange pour le traitement de fibres végétales.*)

Charles Efras and Vincent Paul Travers, both of New York, State of New York, U.S.A., 1st October, 1896 ; 6 years. (Filed 1st April, 1896.)

Claim.—1st. A mixture for treating fibre composed of the following ingredients in about the proportions specified, silicate of magnesia, glucose, wheat flour, paraffine, soap, creosote, phosphate of soda and tallow, with a suitable vehicle, as specified. 2nd. A mixture for treating fibre composed of the following ingredients in about the proportions specified, silicate of magnesia, glucose, wheat flour, paraffine, soap, phosphate of soda, tallow and a vehicle, as specified. 3rd. A mixture for treating fibre composed of the following ingredients in about the proportions specified, silicate of magnesia, glucose, wheat flour, paraffine, soap, creosote, phosphate of soda, tallow and paraffine oil, as specified.

No. 53,618. Mowing Machine. (Fauçonne.)



Stephan B. Jonsson and Rev. Magnus J. Skaptason, both of Winnipeg, Manitoba, Canada, 1st October, 1896 ; 6 years. (Filed 8th September, 1896.)

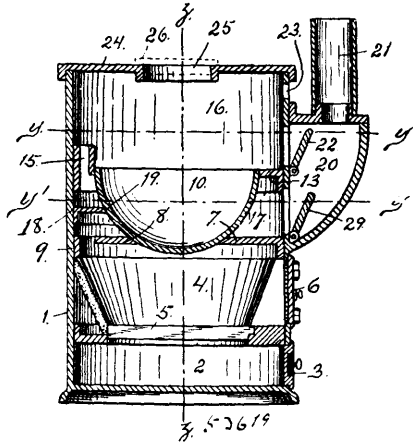
Claim.—The combination of the cylinder or cam F worked by the driving-wheels B and by means of the groove in the cylinder or cam F working the lever M which being attached to the knife bar in the cutter bar K works the knives in such manner as to cut hay, as hereinbefore set forth.

No. 53,619. Garbage Crematory.
(*Machine pour détruire les tripailles.*)

The Buffalo Steel House Company, assignee of Frederic K. Plumbly, both of Buffalo, New York, U.S.A., 1st October, 1896 ; 6 years. (Filed 11th September, 1896.)

Claim.—1st. The herein described garbage or excrement crematory, the same consisting of an outer casing, two transverse parti-

dividing the casing into three chambers the lowest of which is a combustion chamber, said partitions being provided with openings



near their centres, a pot removably closing said openings and leaving a passage around it within the central chamber, said partitions being also provided with openings near one side of the casing producing communication between the several chambers, the upper chamber being provided with air inlet openings and the central chamber with an outlet opening for the products of combustion, and an exit flue communicating with the latter opening, as and for the purpose set forth. 2nd. The herein described garbage or excrement crematory, the same consisting of an outer casing, two transverse partitions dividing the casing into three chambers the lowest of which is a combustion chamber, said partitions being provided with openings near their centres, a hemispherical pot hung on trunnions in the upper partition and closing the opening therein and that in the lower partition, one of the trunnions having a crank handle outside the casing, said partitions being also provided with openings near one side of the casing producing communication between the several chambers, the upper chamber being provided with air inlet openings and the central chamber with an outlet opening for the products of combustion, and an exit flue communicating with the latter opening, as and for the purpose set forth. 3rd. The herein described garbage or excrement crematory, the same consisting of an outer casing, two transverse partitions dividing the casing into three chambers the lowest of which is a combustion chamber, said partitions being provided with openings near their centres, a pot removably closing said openings and leaving a passage around it within the central chamber, said partitions being also provided with openings near one side of the casing producing communication between the several chambers, a deflector extending from the casing to the side of the pot and standing between these side openings in the two partitions, the upper chamber being provided with air inlet openings and the central chamber with an outlet opening for the products of combustion, and an exit flue communicating with the latter opening, as and for the purpose set forth. 4th. The herein described garbage or excrement crematory, the same consisting of an outer casing, two transverse partitions dividing the casing into three chambers the lowest of which is a combustion chamber, said partitions being provided with openings near their centres, a hemispherical pot hung on trunnions in the upper partition and closing the opening therein and that in the lower partition, one of the trunnions having a crank handle outside the casing, said partitions being also provided with openings near one side of the casing producing communication between the several chambers, a deflector extending from the casing to the side of the pot and standing between these side openings in the two partitions, the upper chamber being provided with air inlet openings and the central chamber with an outlet opening for the products of combustion, and an exit flue communicating with the latter opening, as and for the purpose set forth. 5th. The herein described garbage or excrement crematory, the same consisting of an outer casing, two transverse partitions dividing the casing into three chambers, the lowest of which is a combustion chamber, said partitions being provided with openings near their centres, a pot removably closing said openings and leaving a passage around it within the central chamber, said partitions being also provided with openings near one side of the casing producing communication between the several chambers, the upper chamber being provided with air inlet openings and the central chamber with an outlet opening for the products of combustion, an exit flue communicating with the latter opening and extending thence upward to a chimney, a damper controlling this opening, a return opening between the flue and the upper chamber, and a damper controlling this opening, as and for the purpose set forth.