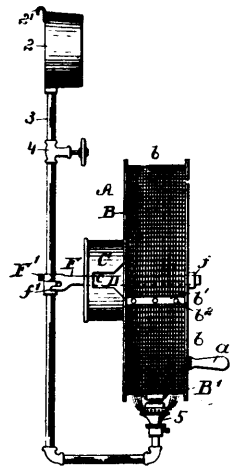


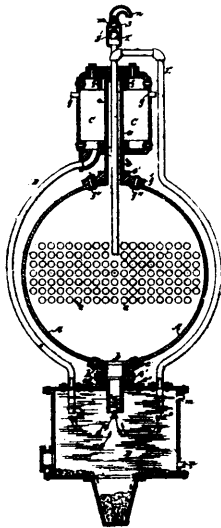
37462 Chestnut's Car Coupler.



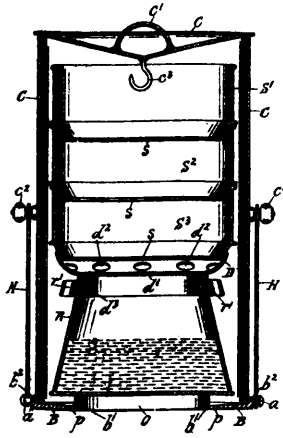
37463 Olson's Corn Popper.



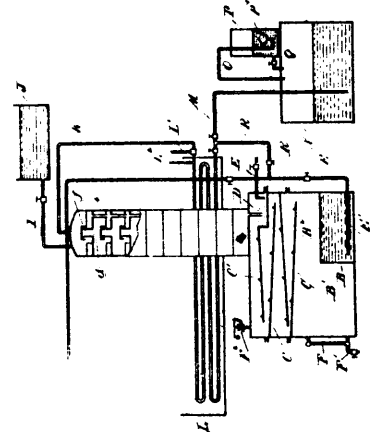
37464 Tollefson's Coupling Bar for Wire Fence Rails.



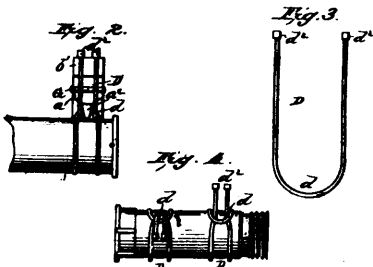
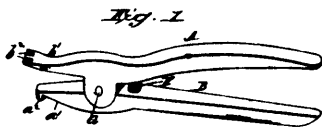
37465 Titus and Werner's Feed Water Purifier.



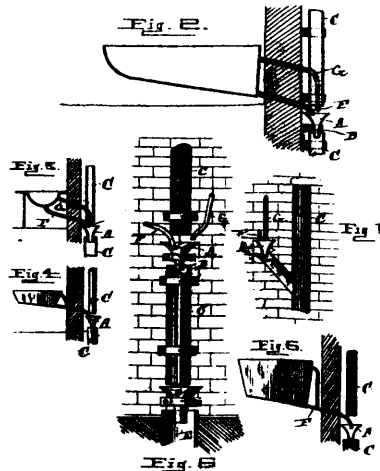
37466 Stiegemeier's Steam Cooker.



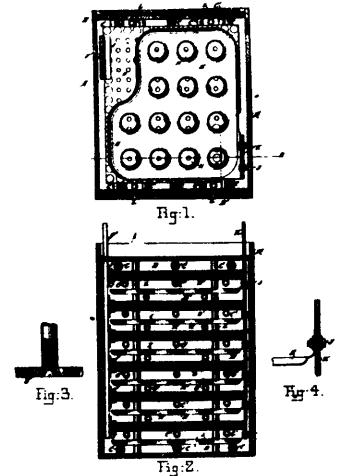
37467 Stroh and Ostus' Ammonia Still.



37468 Halmstead's Device for Securing Hose Bands.



37469 Crittenden's Drain Pipe and System of Drainage for Buildings.



37470 Main's Secondary Battery.