

basis, which includes siting, civil works, equipment installation, regulatory approval/commissioning, training and preparation of approach plates. The company has a staff of fully qualified engineers and maintains a large inventory of replacement parts. Long-term maintenance contracts are offered. Manufacturing and testing facilities are located in Calgary, Alberta. Research and development efforts are focused on a microwave landing system (MLS) avionics receiver and guidance control system for aircraft landing.

Pole-Lite Ltd.

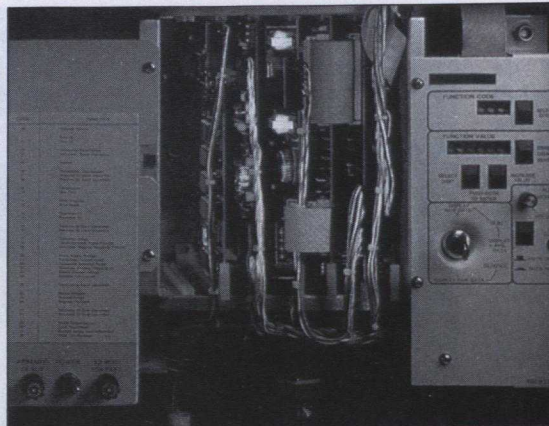
1 Edward VII Boulevard
 St. Phillippe
 Laprairie, Quebec
 Canada J0L 2K0
 Tel: (514) 659-8951
 Fax: (514) 397-1338
 Telex: 055-61010
 G.F. Richer, Vice-President and Treasurer
 M.C. Archambault, Sales-Export/Marketing

Airport lighting poles

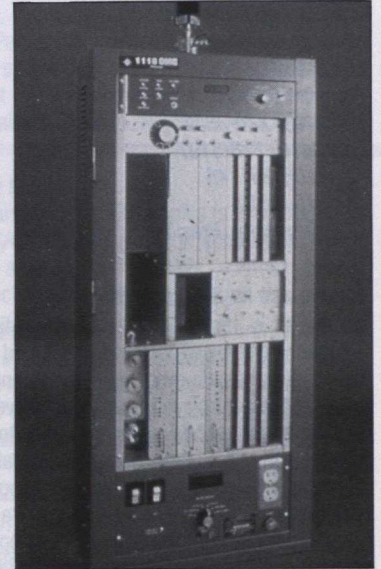
■ Pole-Lite Ltd. produces steel and aluminum lighting poles, used to illuminate parking lots and general circulating areas of an airport. Built to meet the toughest requirements, the poles are made with quality steel and aluminum alloy, produced to AASHTO specifications, and designed to break-away from their base on impact. Pole-Lite also produces high-strength steel masts for illuminating large surfaces such as aircraft parking aprons. Equipped with a lowering device, the masts are available in heights ranging from 18.3 m to 38.1 m (60 ft. to 125 ft.) and can accommodate up to 12 lamps. Pole-Lite also produces aluminum overhead sign structures for use at large, multi-terminal airports to indicate directions to motorists. In addition, the firm produces a Hydro Pole, which is a high-mast raising and lowering pole, from 15 m to 46 m (50 ft. to 150 ft.), supplied with a portable trailer-mounted hydraulic power system.

Company Profile

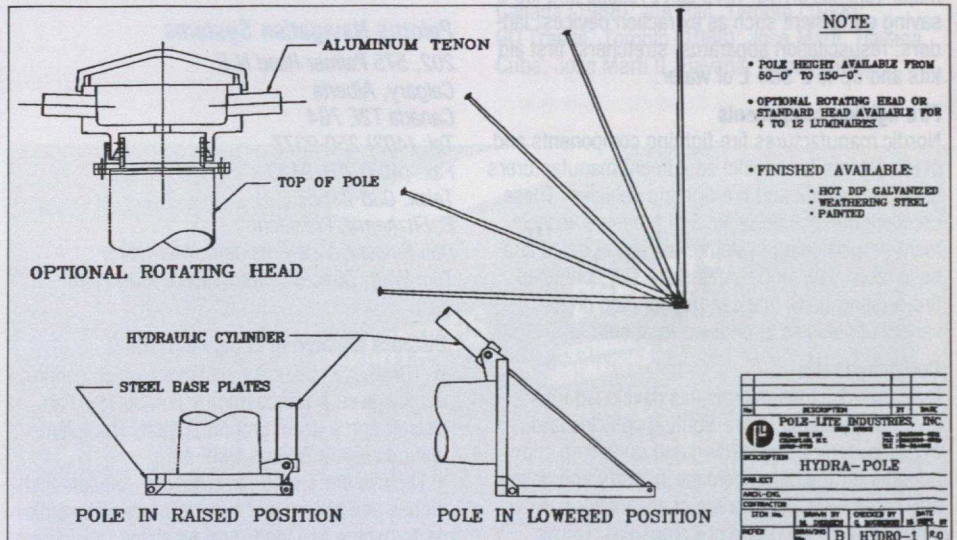
Pole-Lite, established in 1958, is one of the leading Canadian producers of aluminum and steel products. Its products include lighting and flag poles, overhead structures, railings and fences, high mast assemblies, pallets, highway signs and coin collection carriages for parking meters. With four manufacturing facilities and 175 employees, Pole-Lite's equipment and production techniques are continuously updated by the research and development department. The company has sales offices throughout Canada, the United States, the Caribbean and the Middle East.



The Pelorus AWOS 8000



The Pelorus Distance Measuring Equipment (DME)



NO.	REVISION	BY	DATE
1			
POLE-LITE INDUSTRIES, INC. 1000 W. 10th St. Regina, S.S. S4S 0A6 TEL: (306) 342-1111 FAX: (306) 342-1112			
PROJECT: HYDRA-POLE			
DRAWN BY: M. JENSEN CHECKED BY: G. BISHOP DATE: 11/88			
SHEET: 1 OF 1			