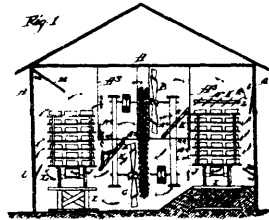
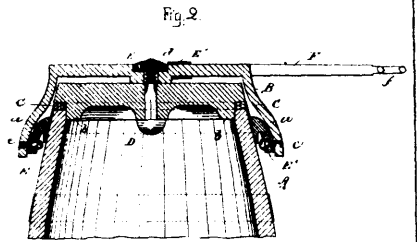


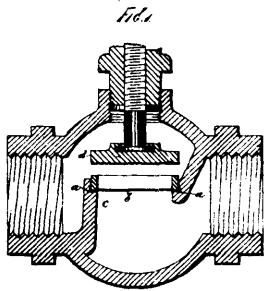
39025 Phillips' Drying Apparatus.



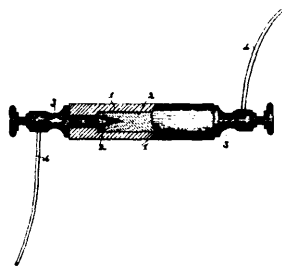
39026 Phillips' Drying Apparatus.



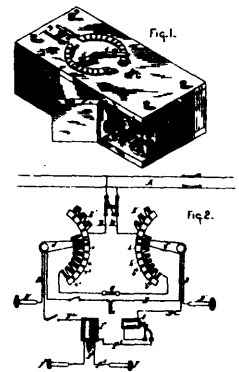
39027 Moore's Barrel Closure.



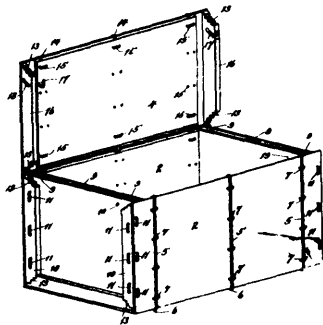
39028 Bayer's Compression Joint.



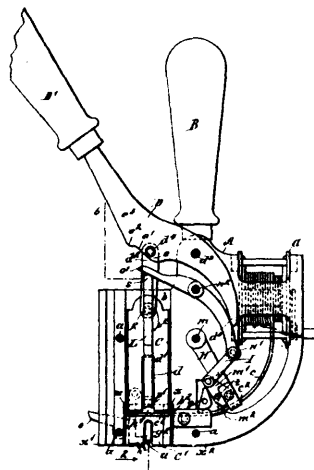
39030 Schneider's Composition for Electric Resistance.



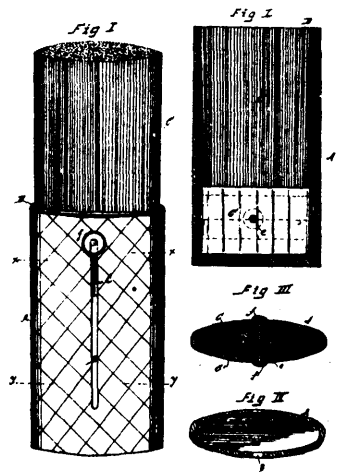
39031 Herdman's Electro-Therapeutic Apparatus.



A
39032 Howenstine's Box and Machine for Making Boxes.



B
39032 Howenstine's Box and Machine for Making Boxes.



39033 O'Brien's Pocket Whisk Holder.