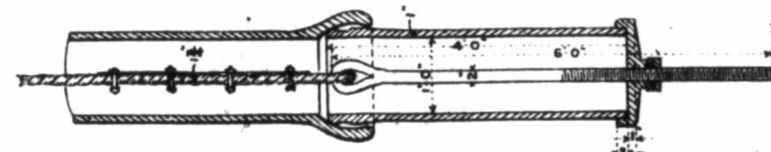
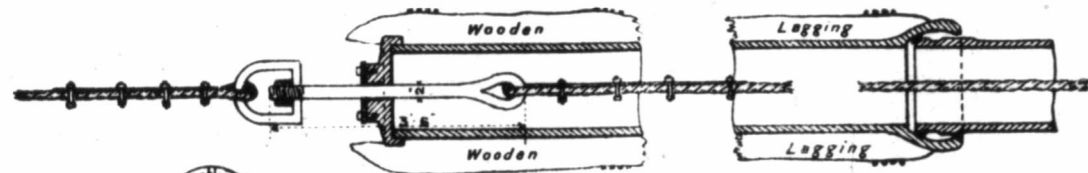




CAP



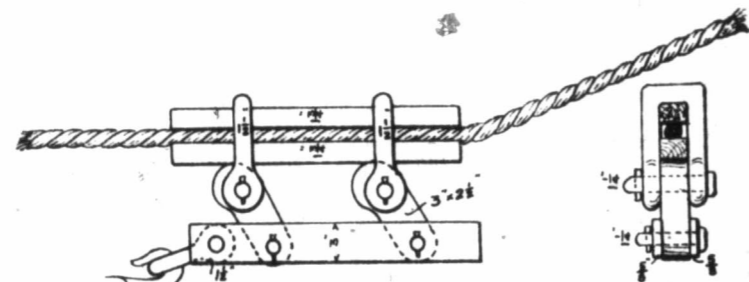
Longitudinal Section
NORTH END OF MAIN



Longitudinal Section
SOUTH END OF MAIN



CAP



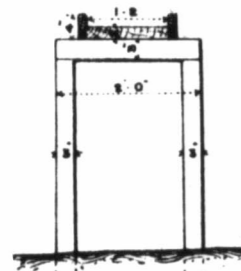
Side Elevation

End View

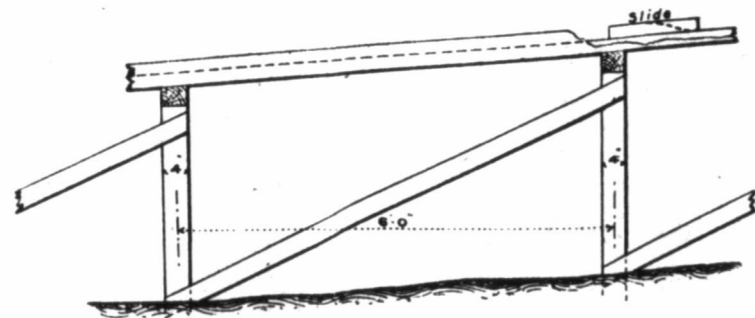
GRIPPER



CLIP

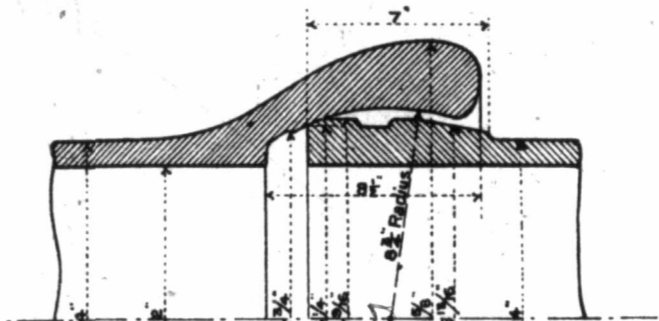


Cross Section



Side Elevation

CHUTE



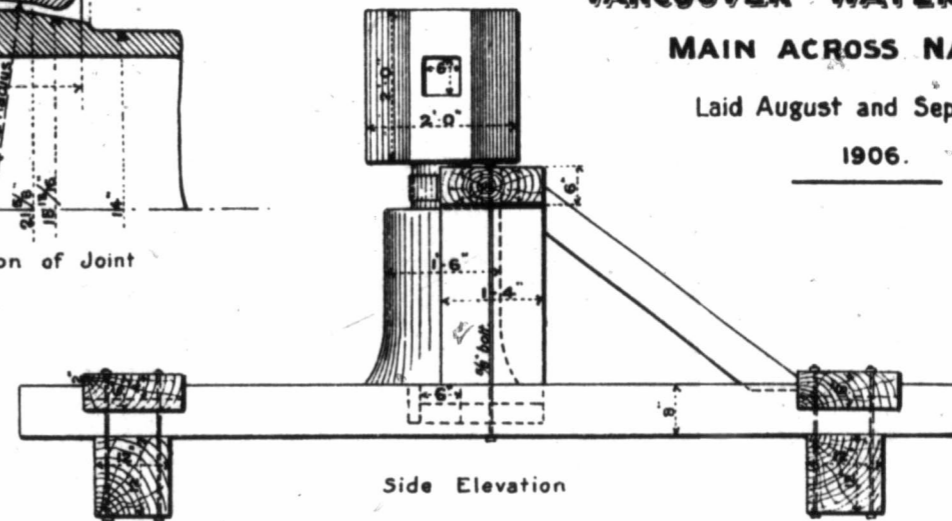
Half Longitudinal Section of Joint
PIPES

VANCOUVER WATER WORKS

MAIN ACROSS NARROWS

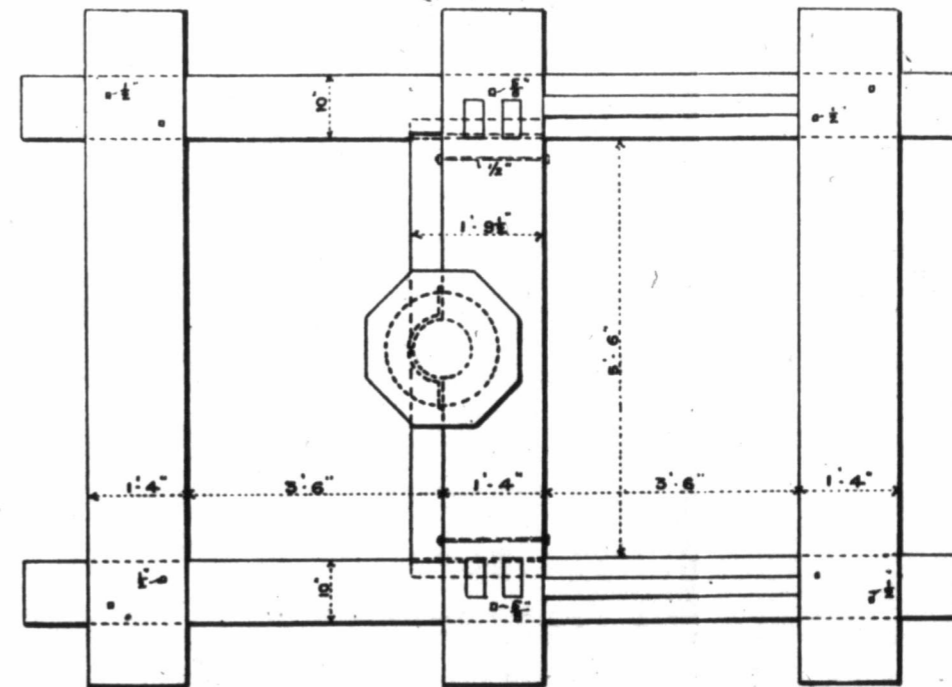
Laid August and September

1906.



Side Elevation

CAPSTAN



Plan