

The Canadian Patent Office

RECORD



Vol. XXVIII.—No. 8.

AUGUST 31st, 1900.

Price free by post in Canada and the United States, \$2.00.

SINGLE NUMBERS, - - - 20 Cts

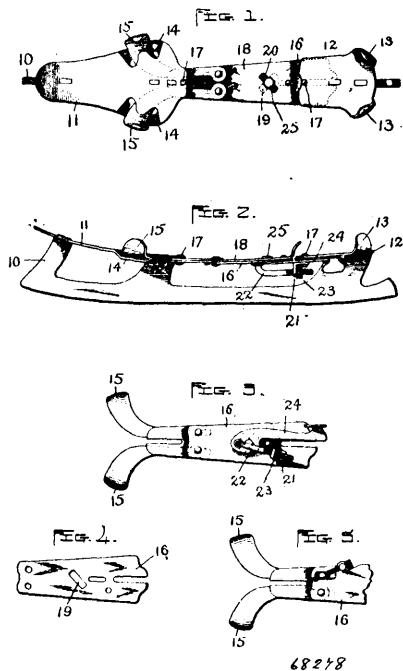
NOTICE.

All solicitors, agents or attorneys who, in circulars or advertisements, or otherwise, refer to the Commissioner or Deputy Commissioner of Patents, or to any other official of the Patent Office, for evidence of their professional standing, do so without authority.

INVENTIONS PATENTED.

NOTE.—Patents are granted for 18 years. The term of years for which the fee has been paid, is given after the date of the patent.

No. 68,278. Skate. (Patin.)



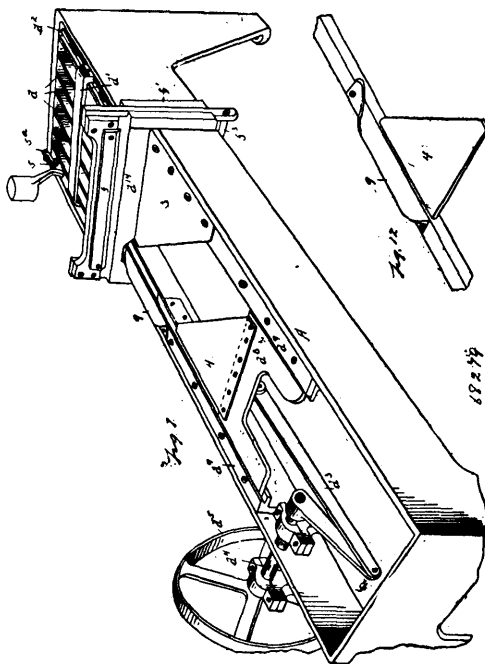
The Samuel Winslow Skate Manufacturing Company, Worcester, Massachusetts, assignee of Stephen S. Black, Pasadena, California, both in the U.S.A., 1st August, 1900; 6 years. (Filed 22nd November, 1899.)

Claim.—1st. In a skate, the combination of fixed rear heel stops a clamping lever, rearwardly closing toe clamps, a slide for operating the toe clamps, and a slide for operating a rearwardly closing heel clamp, said slides having oppositely inclined slots with a stud fitting therein and forming a connection to divide the strain of the clamp-

ing lever between the rearwardly closing toe clamps and the rearwardly closing heel clamp, substantially as described. 2nd. In a skate, the combination of the fixed back heel stops, the rearwardly closing toe clamps, a slide for operating the toe clamps, a slide for operating a rearwardly closing heel clamp, a clamping lever, and a screw forming an adjustable connection between the clamping lever and heel plate, said clamping lever being provided with a stud engaging oppositely inclined slots in said slides to divide the strain of the clamping lever between the rearwardly closing toe clamps and the rearwardly closing heel clamp, substantially as described. 3rd. In a skate, the combination of a clamping lever, the rearwardly closing toe clamps, a slide for operating the same, an adjusting screw connecting one of the toe clamps and its slide, to provide a transverse adjustment of the skate, a slide for operating a rearwardly closing heel clamp, and a connection for dividing the strain of the clamping lever between the rearwardly closing toe clamps and the rearwardly closing heel clamp formed by a stud fitting into oppositely inclined grooves in the slides, substantially as described.

No. 68,279. Paper Folding Machine.

(Machine à plier le papier.)



George P. Davis, Detroit Michigan, U.S.A., 1st August, 1900; 6 years. (Filed 22nd January, 1900.)

Claim.—1st. In a paper folding machine, in combination with a frame, and means for feeding paper intermittently, a fixed plate over which the paper is fed, a reciprocating die plate arranged on a plane lower than the fixed plate, and means for reciprocating the