

The Canadian Patent Office

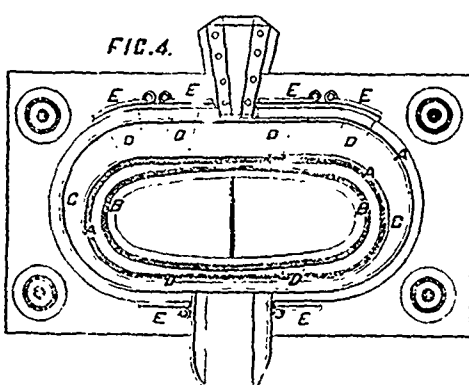
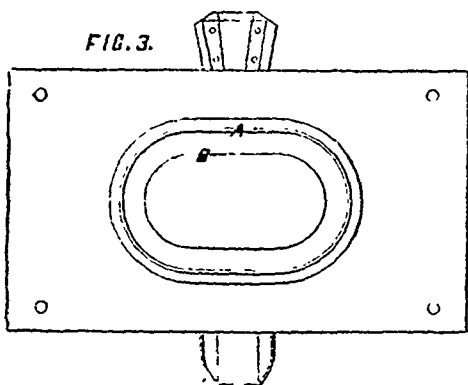
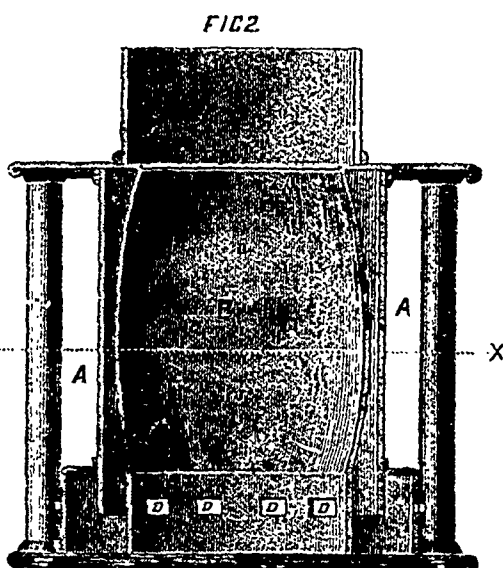
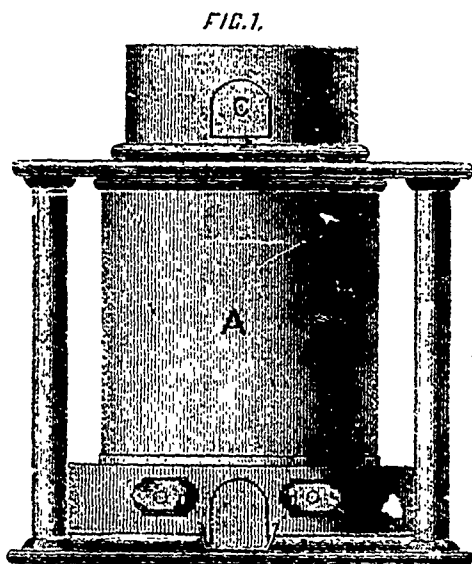
RECORD

AND MECHANICS MAGAZINE

Vol. I.—No. 6.

SEPTEMBER, 1873.

Price in Canada \$1.50 per An.
United States - \$2.00 "



MARSHBANK'S PATENT FOUNDRY CUPOLA (See page 164.)