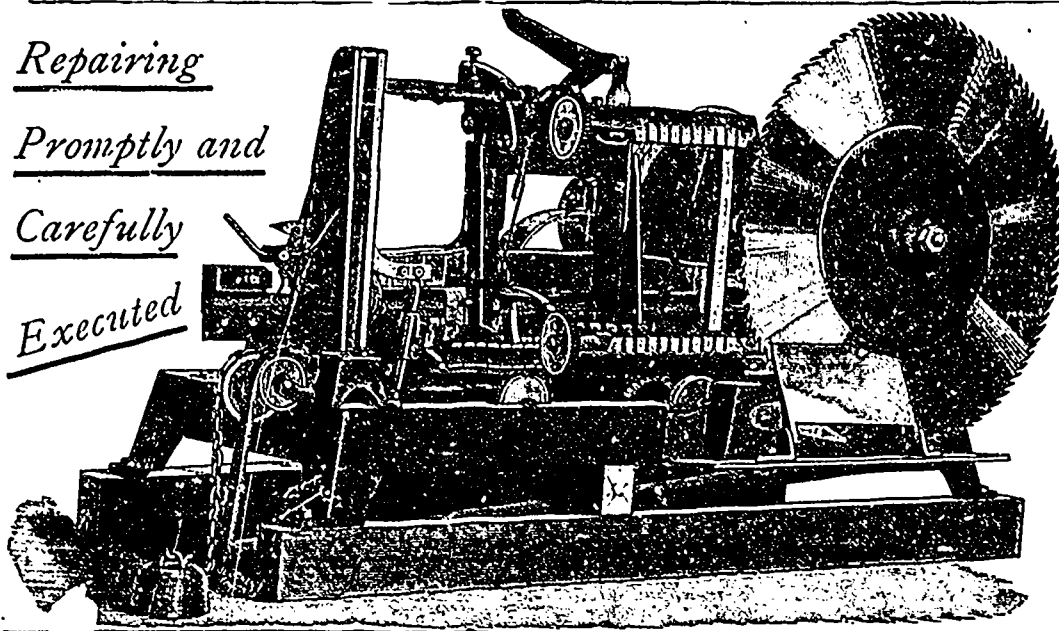


*Repairing
Promptly and
Carefully
Executed*



B. R. MOWRY & SON

MANUFACTURERS OF

**Saw Mill
and Shingle Mill
Machinery.**

Shingle Machinery a Specialty.

The "BOSS" SHINGLE MACHINE

Manufactured by us is acknowledged by practical men to be the best machine in the market.

GRAVENHURST, ONT.

The Gold Medal,
Toronto, 1883

WOOD WORKING MACHINERY

The Gold Medal,
London, 1883

For Door, Sash, Blind and Furniture Factories

PLANERS.

MOULDERS.

TENONERS.

SHAPERS.

RIP SAWS.

SAND PAPERERS.

BAND SAWS.

BAND RE-SAWS.

PANEL RAISERS.

DOVETAILERS.

JOINTERS.

DOUBLE SPINDLE BORER.

BUZZ PLANERS.

MORTISERS.

BLIND MACHINERY.

BAND SAW FILER.

BAND SAW SETTER.

ETC., ETC.

The Cant Bros. Co., Limited,

GALT, ONTARIO.

Write for Circulars
and Prices.

Correspondence
Solicited.

Established 1849.

Incorporated 1884.



Detroit Saw Works

MANUFACTURERS OF

Circular, Gang, Mulay, Drag and Cross-Cut Saws.

MOLDING AND PLANING KNIVES,

We use nothing but W. J. & Sons' English
Steel in our saws and the name speaks for itself.

French Band Saws, Emery Wheels and General Mill Supplies.

66, 68, 70 and 72 Fort St. East, DETROIT, MICH.

Investment Bonds.

THE DOMINION SAFE DEPOSIT WAREHOUSING & LOAN CO.,

Head Office - The Canadian Bank of Commerce Building, King St. W., Toronto.

CAPITAL, ONE MILLION DOLLARS.

DIRECTORS.

W. D. Matthews, Esq., President.	Henry W. Darling, Esq., Vice-Pres
John I. Davidson, Esq.	S. F. McKinnon, Esq.
H. W. Nelson, Esq.	J. P. Clark, Esq.
M. C. Cameron, Esq.	Robert Kilgour, Esq.
Thomas McCracken, Esq.	Robert Davies, Esq.
	Aaron Ross, Esq.
	G. B. Smith, Esq. M.P.P.
	J. H. Starr, Esq.
	Alexander Nairn, Esq.
	Eugene O'Keefe, Esq.

This Company is now offering \$100, \$200, \$300, \$400 and \$500 investments in bonds, payable in five, ten and fifteen years from date of issue, with participation in profits, affording all the advantages of compound interest accumulations on small sums of money. These bonds are the obligations of this Company and are specially protected by a sinking fund, invested in first-class real estate mortgages. They are plain definite contracts, subject to no contingencies whatever, are non-forfeitable after one annual payment, with values definitely stated thereon. For a small outlay they secure a fixed and generous return.

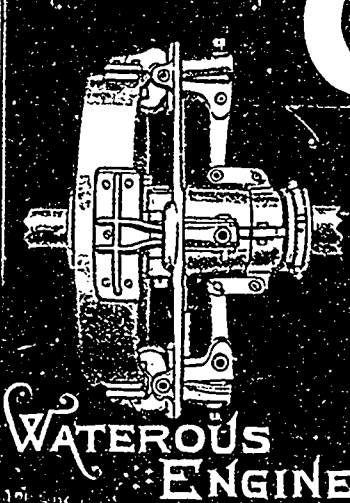
To bondholders who complete their contracts the Company guarantee compound interest at the rate of Four Per Cent. Per Annum.

The Company is prepared to receive applications from reliable agents at all points where it is not already represented.

WM. KERR, Manager

The Safe Deposit Vaults of the company cannot be surpassed for absolute security. Call and examine or write for circular

30 H.P. CUTOFF COUPLING.



GRIP

**Pulleys & Cutoff
Couplings.**

10 INCHES x 3 INCHES
TO
10 FEET x 30 INCHES

SPLIT OR SOLID

GUARANTEED.

**AFTER USING YOU WONDER
HOW YOU MANAGED WITHOUT IT.**

**WATEROUS
ENGINE WORKS & Co. Brantford, Can.**