

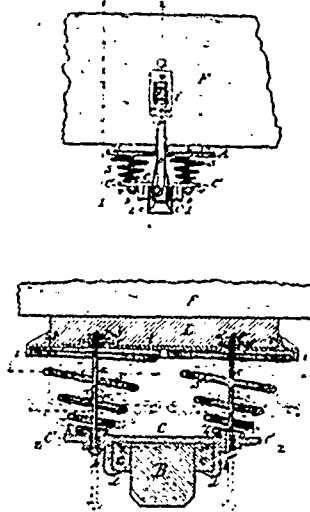
Fig. 3.



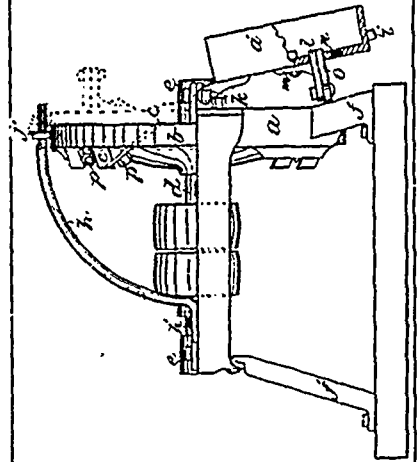
Fig. 4.



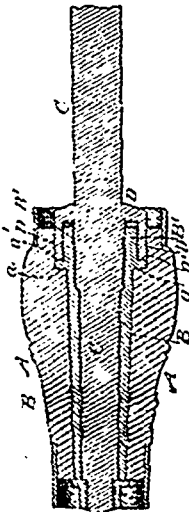
24821 Bernard's Machine for Rubber Stamp Printing.



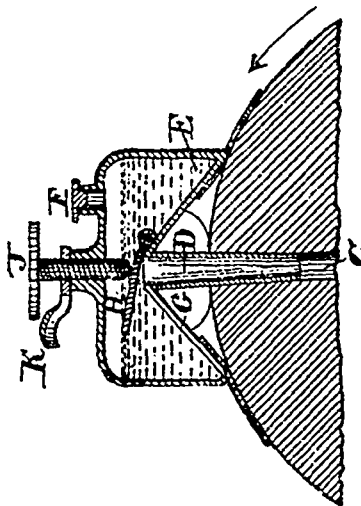
24822 Cliff's Wagon Bolster Spring.



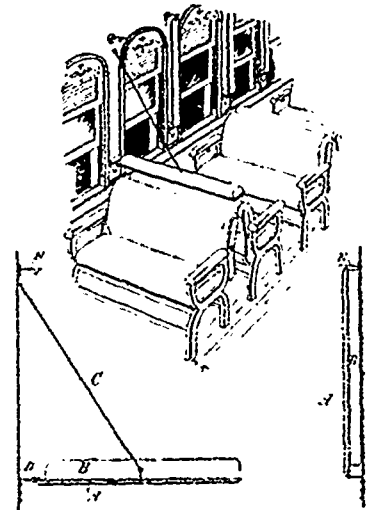
24823 Drake's Shingle Jointer.



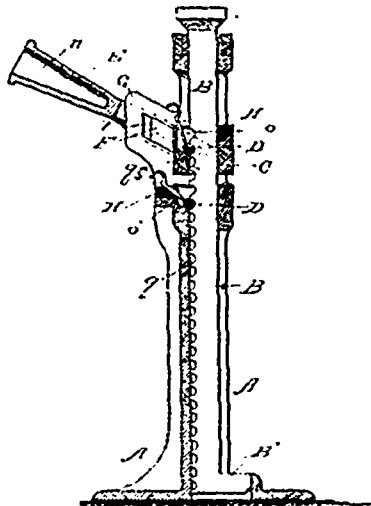
24824 Stillman's Axle and Sand Shield for Wheels.



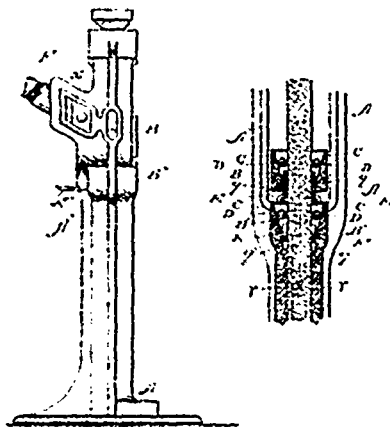
24825 Thomas' Lubricator.



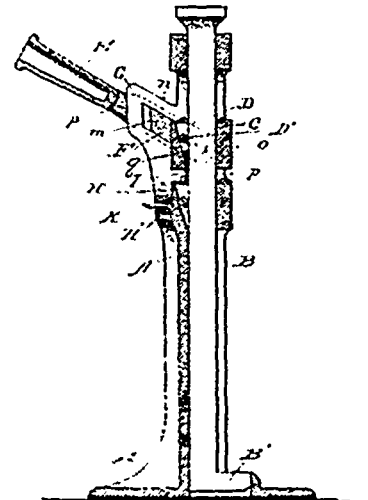
24826 Wiseman's Head Rest and Pillow for Railway Cars.



24827 Strom's Lifting Jack.



24828 Strom's Lifting Jack.



24829 Strom's Friction Clutch.