

The Canadian Patent Office

RECORD





Vol. XXIV.—No. 9. SEPTEMBER 30th, 1896.

Price free by post in Canada and the United States, \$2.00.
SINGLE NUMBERS, - - - 20 Cts.

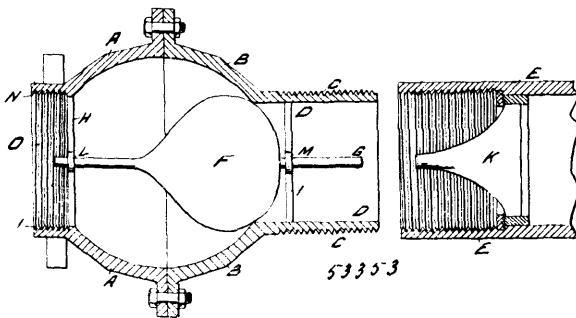
NOTICE.

All solicitors, agents or attorneys who, in circulars or advertisements, or otherwise, refer to the Commissioner or Deputy Commissioner of Patents, or to any other official of the Patent Office, for evidence of their professional standing, do so without authority.

INVENTIONS PATENTED.

NOTE.—Patents are granted for 18 years. The term of years for which the fee has been paid, is given after the date of the patent.

No. 53,353. Hose Coupler. (Joint de boyaux.)



Jean Naud, jr., Montreal, Quebec, Canada, 1st September, 1896; 6 years. (Filed 7th August, 1896.)

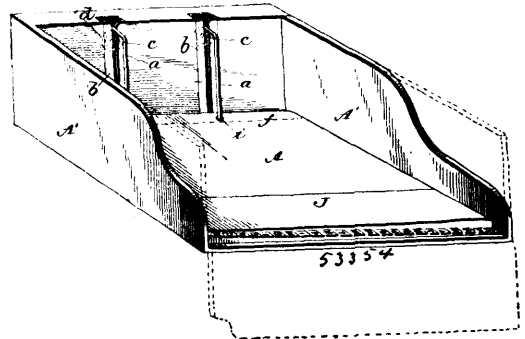
Claim.—1st. In a hose coupling, the ram K in the part E E of the coupling, substantially as shown and for the purpose hereinbefore set forth. 2nd. In a hose and hydrant coupling the combination of the ram K with the valve F, actuated through its shaft O all substantially as described and for the purpose hereinbefore specified. 3rd. In a hose and hydrant coupling the combination of the cups A A and B B, and the supports H and I with the valve F, all substantially as described and for the purpose hereinbefore set forth.

No. 53,354. Filing Case. (Serre-papier.)

George Henry Richter, Boston, Massachusetts, U.S.A., 1st September, 1896; 6 years. (Filed 23rd July, 1896.)

Claim.—1st. A filing case or drawer, and a slotted metallic frame inserted in one end thereof, combined with a wire bent at right angles near each of its ends, and then having its ends formed into loops to fit in the frame, and turned inwardly toward each other so as to be in a line with the main body of the wire, substantially as shown. 2nd. In a filing case or drawer, a covering sheet, combined with a removable weight secured to its outer edge, substantially as shown and described. 3rd. In a filing case or drawer, a covering sheet, combined with a removable weight applied to the edge thereof, the weight being formed of elastic metal which is doubled upon itself, so as to receive the edge of the sheet between its two edges, substantially as set forth. 4th. In a filing case or drawer, a

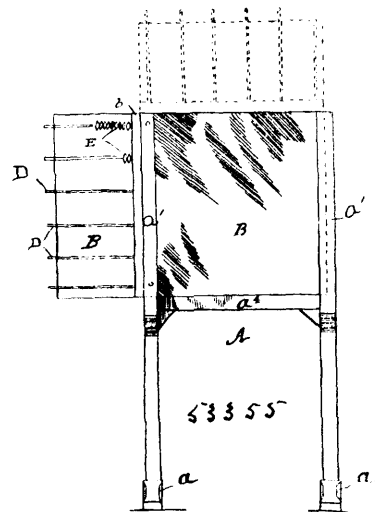
covering sheet, provided with an eyelet or catch, combined with a removable U shaped weight which is applied to the outer edge of



the sheet, said weight being elastic, and provided with an opening to catch over the eyelet or catch, substantially as shown and described.

No. 53,355. Apparatus for Teaching Arithmetic.

(Appareil pour enseigner l'arithmétique.)



Herman Rodelsperger, Manchester, New Hampshire, U.S.A., 1st September, 1896; 6 years. (Filed 25th July, 1896.)

Claim.—An apparatus for the purpose described, consisting of slotted uprights, an oblong blackboard adapted to rest in said slots