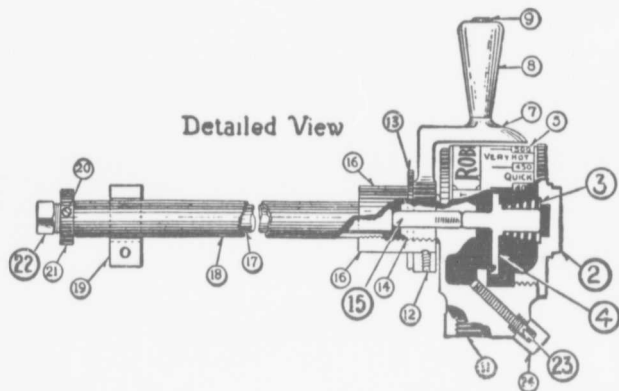


INSTRUCTIONS

for the care and adjustments of the
Robertshaw AutomatiCook



The minimum burner flame Pilot and the Independent Pilot must be properly adjusted by the person installing the Range.

To adjust the minimum burner flame pilot, move the Pointer of the AutomatiCook up to the 500 degree mark, then light the gas in the burner and allow the oven to heat for about 10 minutes. Then move the pointer down to the 250 degree mark. This closes the valve seat. Any gas then passing to the burner is through the minimum burner flame port and this should burn about $\frac{1}{8}$ in. high over the entire burner. If the flame is too high, turn screw (23) to the right (clockwise) to reduce it, and if the flame is too low, turn screw (23) to the left. The adjusting screw (23) is located underneath the knurled protecting cap (24) on the body of the AutomatiCook.

The Independent Pilot light is the small yellow flame that burns near the oven burner so that it will ignite the burner and be ignited by it. It is a precautionary pilot and serves to relight the burner in case the minimum burner flame pilot is improperly adjusted and goes out. It is entirely independent of the AutomatiCook and will burn at the same height regardless of the temperature. It is lighted with the burner and extinguished when the burner is shut off. Turning the small screw at the end of this Pilot regulates the length of flame, which should be adjusted to about $\frac{3}{4}$ inch in length.

The temperature setting seldom has to be changed but should it be necessary, this is done by turning plug (22) at the end of the Thermostatic tube. Turning plug (22) to the right (clockwise) raises the oven temperature and to the left lowers it. The Pointer must be held rigidly in one position while the plug (22) is being turned and turning the plug one face of its hexagon end changes the temperature 50 degrees.

To clean the valve parts it is simply necessary to remove cap (2), take out the disc (4), the spring (3) and the gland pin (15). Clean all these parts thoroughly, especially the valve seat, and replace parts.

Cleaning the Valve Parts Does NOT Change the Temperature Setting.