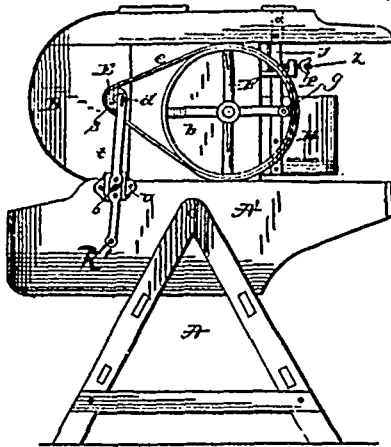
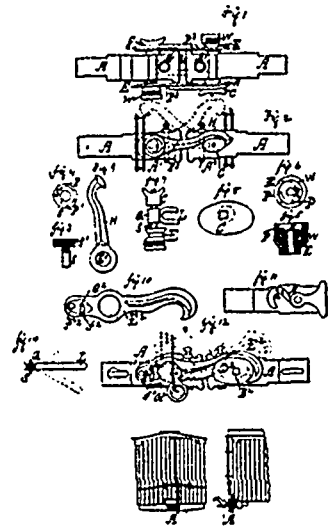


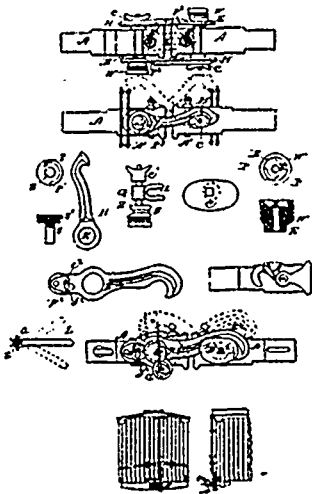
24147 Duthio's Oscillating Steam Valve.



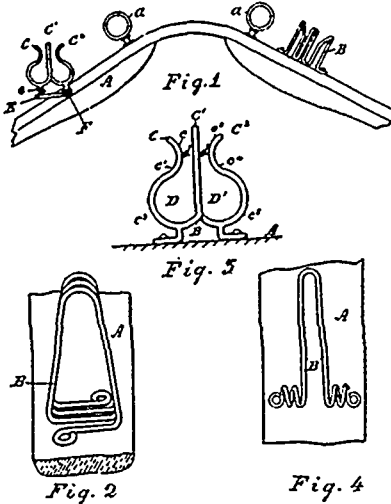
24148 Tate's Grain and Seed Separator and Grader.



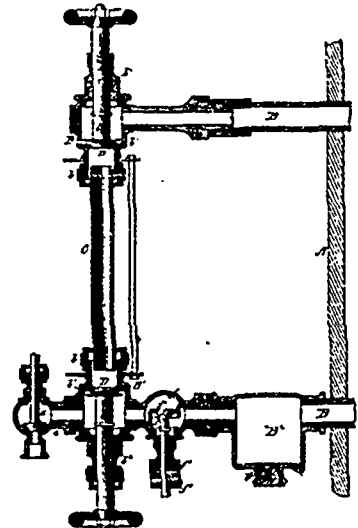
24149 Coup & McCurdy's Car-coupler.



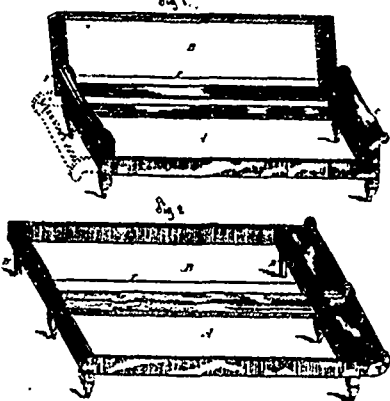
24150 Coup & McCurdy's Car-Coupler.



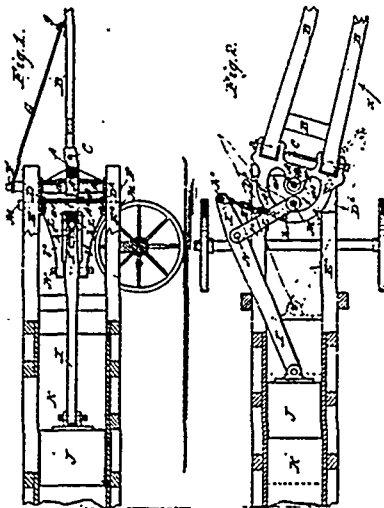
24151 Emry's Linc-Support for Harness.



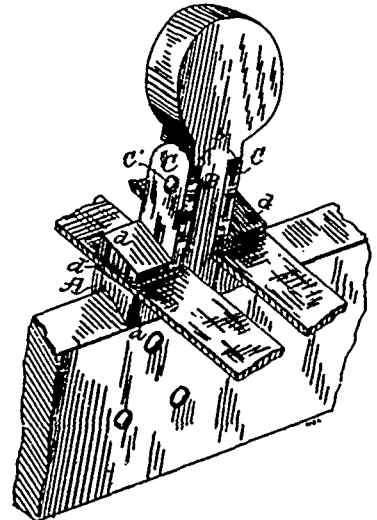
24152 Nelson & Landerholm's Steam and Water Valve.



24153 Reid's Sofa Bed.



24154 Ertel's Baling Press.



24155 Young's Eain-Holder.