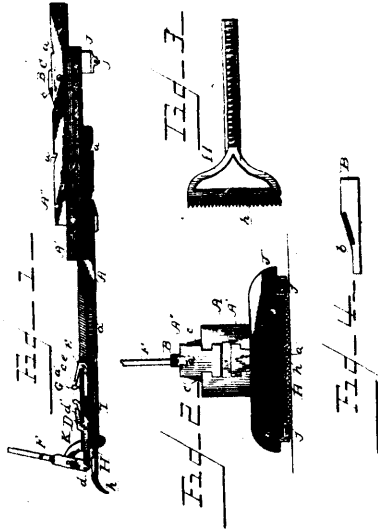
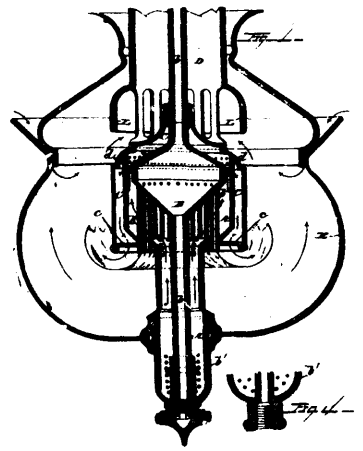


Fig. 1.

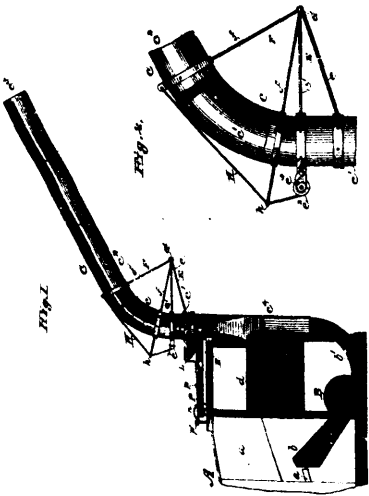
35520 Thissell and Bradstreet's Wash Boiler.



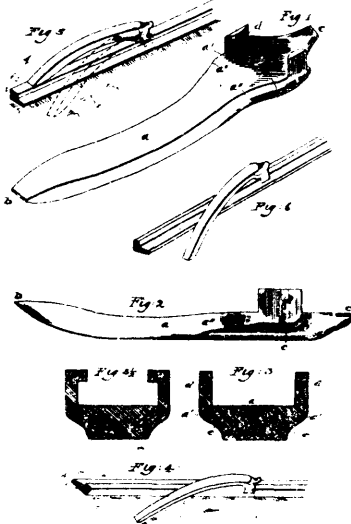
35521 Anderson and Stetter's Carpet Stretcher.



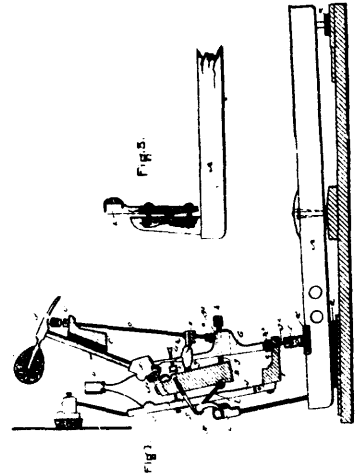
35522 Gordon and Swift's Regenerative Gas Lamp.



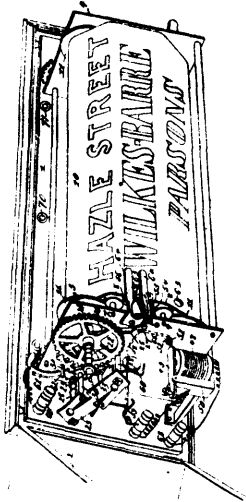
35523 Ross' Apparatus for Moving Straw and other Stalked Material.



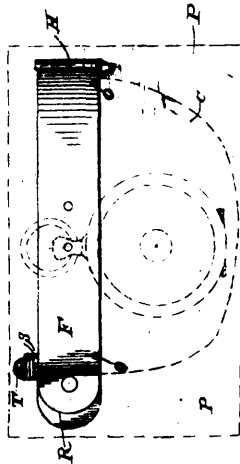
35524 Clouser's Car Replacing and Derailing Device.



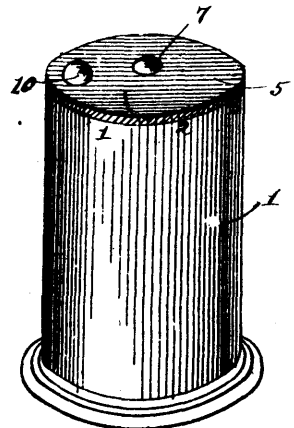
35525 Dimick's Piano Action.



35526 Kirwan's Electric Station Indicator



35527 Griffin's Safety Pocket.



35528 Wirburn's Needle Case