

The Canadian Patent Office

RECORD





Vol. XXII.—No. 7.

JULY 31st, 1894.

Price free by post in Canada and the United States, \$2.00.
SINGLE NUMBERS, - - - 20 Cts.

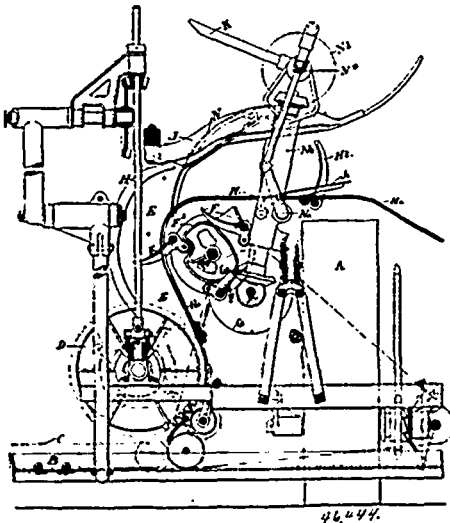
NOTICE.

All solicitors, agents or attorneys who, in circulars or advertisements, or otherwise, refer to the Commissioner or Deputy Commissioner of Patents, or to any other official of the Patent Office, for evidence of their professional standing, do so without authority.

INVENTIONS PATENTED.

NOTE.—Patents are granted for 18 years. The term of years for which the fee has been paid, is given after the date of the patent.

No. 46,444. Construction of Sheaf Binding Harvester.
(Moissonneuse-lieuse.)

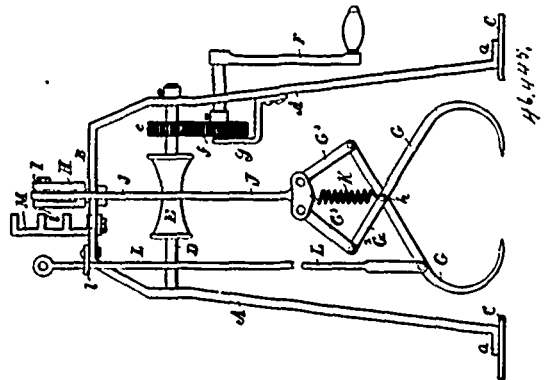


Ernest Samuelson, Banbury Oxon, England, 3rd July, 1894; 6 years.

Claim.—1st. In a low-down sheaf binding harvester the combination of a revolving drum (or its equivalent), and a gaveling chamber above it into which the said drum feeds the cut crop, and packers operating intermittently in the said chamber, so that the fingers of the said packers deliver the cut crop to a binding mechanism situated above a binding table or fence placed over the main travelling-wheel all being relatively arranged, substantially as hereinbefore explained. 2nd. In combination with mechanism arranged as claimed by the preceding claiming clause, means for arresting the movement of the packers, so that the fingers thereof close the throat of the gaveling-chamber at the proper time to effect separation between the cut crop in the chamber and that which is being bound, substantially as hereinbefore explained.

No. 46,445. Tie Lifter and Rail Adjuster.

(Appareil de relevage de traverse et ajusteur de rail.)



James Mellon, Montreal, Quebec, Canada, 3rd July, 1894; 6 years.

Claim.—1st. In a tie lifter, the combination with a main frame having two upright sides with broad base plates, and connected at the top by a cross piece, of a lever pivoted in a cross-head secured to the said cross-piece, bar carried at the end of the said lever, perforations in the said bar, two links pivoted to the lower end of the said bar, and to the outer ends of a pair of grippers, grippers or tongs pivoted together, a spring secured to the pivoted point of the grippers, and to the lower end of the bar carried by the lever, substantially as set forth. 2nd. In a tie lifter, the combination with a pair of grippers or tongs adapted to be held open by means of a spring, the said grippers being connected by a vertical rod to the end of a lever, of the lever carrying said rod, the cross-head pivotally secured to a suitable frame, a toothed segment, to the engage the said lever, and a rod secured to one of the jaws of the said grippers, substantially as set forth. 3rd. In a tie lifter, the combination with a pair of grippers adapted to be operated by means of a lever suitably pivoted, of the spring K, substantially as set forth. 4th. In a tie lifter and rail adjuster, the combination with a frame having legs adapted to straddle a rail or a tie, carrying a pair of grippers, of the drum D, and means for operating the said drum, substantially as set forth.

No. 46,446. Card Feeder for Package Filling Machines.
(Alimentateur de cartes pour machines à remplir les paquets.)

Henry Eyster, Philadelphia, Pennsylvania, U.S.A., 6th June, 1894; 6 years.

Claim.—1st. The combination with an automatic package filling machine of a mechanism for automatically inserting a card or sheet into the package in upright position alongside of the material therein. 2nd. The combination with mechanism for introducing comminuted material into a package, of mechanism for automatically feeding a card or sheet into said package at the same time with such material. 3rd. The combination with mechanism for directing a stream of comminuted material into a package, of a card-feeding mechanism adapted to insert a card or sheet into the package along with such stream of material. 4th. The combination with mechanism for directing a stream of comminuted material into a package, of a card-feeding mechanism adapted to feed a card or sheet to said package, and constructed to bring the card or sheet into proximity to the