

# The Canadian Patent Office RECORD

Vol. XXVI.—No. 6.

JUNE 30th, 1898.

{ Price free by post in Canada and the United States, \$2.00.  
SINGLE NUMBERS, - - - 20 Cts

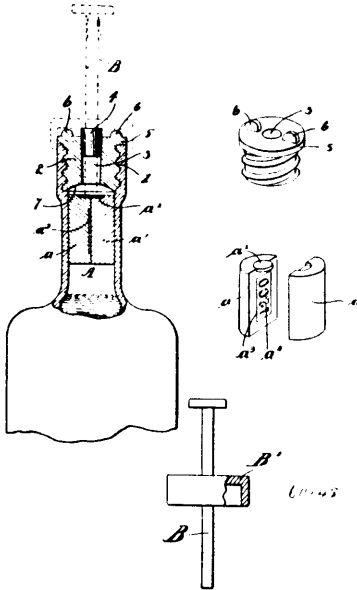
## NOTICE.

All solicitors, agents or attorneys who, in circulars or advertisements, or otherwise, refer to the Commissioner or Deputy Commissioner of Patents, or to any other official of the Patent Office, for evidence of their professional standing, do so without authority.

## INVENTIONS PATENTED.

NOTE.—Patents are granted for 18 years. The term of years for which the fee has been paid, is given after the date of the patent.

### No. 60,148. Bottle. (Bouteille.)

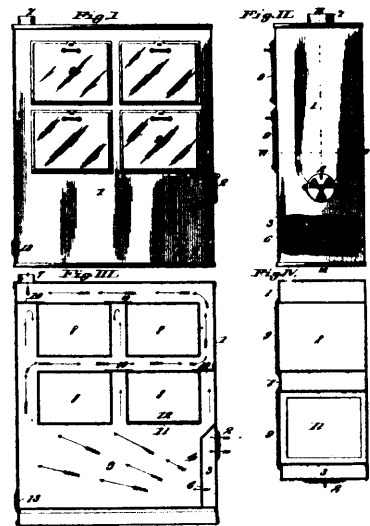


Archibald Campbell, Huntsville, Alabama, U.S.A., assignee of Allan Robert Campbell, Birmingham, Alabama, U.S.A., 1st June, 1898; 6 years. (Filed 6th May, 1898.)

Claim.—1st. A bottle having a permanently secured tapered stopper threaded within the outer end of the neck thereof and a sectional cork in the lower end which is of contracted diameter, the said stopper having an aperture leading therethrough for the discharge of liquid from the bottle, substantially as shown and described. 2nd. In a bottle, the combination of a threaded stopper having a concave lower end permanently secured within the outer end of the neck thereof and a removable sectional cork placed within the lower portion of the neck thereof, said sections united by a disc, the said stopper having an aperture leading therethrough for discharge of fluid from the bottle, substantially as shown and described. 3rd. In a bottle, the combination of a cork comprising two sections

united by a disc, in the lower portion of the neck thereof and a concealed coupon between said sections, and a threaded stopper having an aperture leading therethrough and a concave lower end, said stopper permanently secured in the outer end of the bottle neck, substantially as shown and described.

### No. 60,149. Stove. (Poêle.)



Eugene Washington Vest, San Francisco, California, and James Albert Baker, St. Louis, Missouri, both of the U.S.A., 1st June, 1898; 6 years. (Filed 5th May, 1898.)

Claim.—1st. In a stove, the combination of a shell, a closed combustion chamber in the lower part of said shell, and two or more ovens mounted in said shell above said combustion chamber, said ovens being surrounded by passageways for the flow of hot air currents in alternating directions there-around, substantially as described. 2nd. In a stove, the combination of a shell, a closed combustion chamber in the lower part of said shell, and two or more tiers of ovens mounted in said shell above said combustion chamber, said ovens being surrounded by passageways for the flow of hot air currents in alternating directions there-around, substantially as described. 3rd. In a stove, the combination of a shell, a combustion chamber in the lower part of said shell, an air chamber located at one side of said combustion chamber, and two or more ovens mounted in said shell above said combustion chamber, said ovens being surrounded by passageways for the flow of hot air currents in alternating directions there-around, substantially as described. 4th. In a stove, the combination of a shell, a closed combustion chamber in the lower part of said shell, and an oven mounted in said shell above said combustion chamber, said oven being surrounded by passages for the flow of hot air currents in alternating directions there-around, substantially as described.