

The Canadian Patent Office

RECORD




Vol. XXII.—No. 4.

APRIL 30th, 1894.

{ Price free by post in Canada and the United States, \$2.00.

{ SINGLE NUMBERS, - - - 20 Cts.

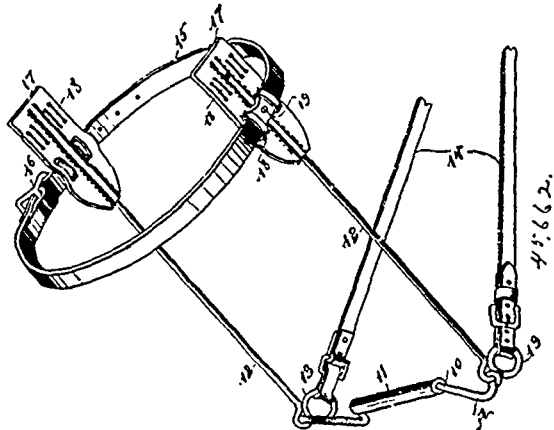
NOTICE.

All solicitors, agents or attorneys who, in circulars or advertisements, or otherwise, refer to the Commissioner or Deputy Commissioner of Patents, or to any other official of the Patent Office, for evidence of their professional standing, do so without authority.

INVENTIONS PATENTED.

NOTE.—Patents are granted for 18 years. The term of years for which the fee has been paid, is given after the date of the patent.

No. 45,662. Over-Draw Check Bit.
(Mors pour guides d'enrèment)

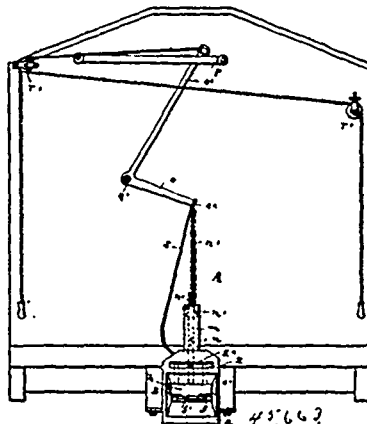


Joseph Carter, Blyth, Ontario, Canada, 2nd April, 1891; 6 years.

Claim.—1st. An over-draw check bit, the same consisting of a bit, check sections connected with the bit and adapted for engagement with the over-draw rein, and a nose strap connecting the check sections, substantially as shown and described. 2nd. An over-draw check bit, the same consisting of a bit adapted for independent use, check sections connected with the bit and adapted for connection likewise with the check rein, and a nose piece adjustably connected with the check sections, as and for the purpose specified. 3rd. An over-draw check bit, the same consisting of a bit adapted for independent use, check bars pivotally connected with the ends of the bit and terminating in loops adapted to receive a check rein, a nose strap adjustably connected with the check bars, and means, substantially as shown and described, for maintaining the nose strap in a given position, as and for the purpose set forth. 4th. An over-draw check bit, the same consisting of a bit adapted for independent use, check bars connected with the ends of the bit, being adapted at their lower ends for attachment to the check rein, check pads located upon the upper ends of the check bars, provided with loops and a stud between the loops, and a nose band or strap, adapted to

pass through the loops of the check pads and receive the said studs, as and for the purpose specified. 5th. An over-draw check bit, the same consisting of a bit adapted for independent use, having curved extremities and a projecting centre, check bars connected with the ends of the bit and adapted to receive the check rein near said connection, a nose band adjustably connected with and connecting the check bars, and means, substantially as described, for locking the nose strap in a given position, as set forth.

No. 45,663. Car Coupler. (Attelage de chars.)



David S. Hutton, Martinsburg, Iowa, U.S.A. 2nd April, 1894; 6 years.

Claim.—1st. In a car coupling, the combination of a two part draw-head, divided longitudinally in a horizontal plane, and provided with a link, a support therefor, and automatic slides for controlling the descent of the coupling-pin, substantially as described. 2nd. In a car coupling, the combination with a draw-head, of a link and spring arms applied to such link and supporting it in normal position for entrance into an adjacent draw-head, and a pin or other fastening for retaining the link within the draw-head independently of the coupling-pin, substantially as described. 3rd. In a car coupling, a draw-head, a link having a cross-bar, a forked spring applied to such link through such cross-bar and supporting the link in operative position in the draw-bar, and a pin or other fastening for retaining the link permanently in the draw-head, substantially as described. 4th. In a car coupling, a draw-head, a spring-pressed slide therein, an outer slide movable independently of the inner slide so as to take a position to support the coupling-pin in uncoupled position, and means connecting the inner and outer slides to effect the forward movement of the outer slide to withdraw it from the coupling-pin, and the coupling-pin arranged to descend first upon the inner slide and then through the draw-head in the line of the said slides when released by the successive operations of said slides, substantially as described. 5th. In a car coupling, a draw-head, a coupling-pin therein, an outer slide for supporting the said coupling-pin in uncoupled position, an inner slide for supporting the said pin in position for coupling, and means to actuate said pin and slides for purposes of uncoupling and to present the pin in position for coupling, substantially as described. 6th. In a car coupling, a draw-head, having a link provided with a bevelled outer end and also provided with a cross-bar, combined with a supporting spring