

THE PATENT OFFICE
PRINTED BY HENRY L. GARDNER & CO. LTD.
LONDON AND BIRMINGHAM

Fig. 2.

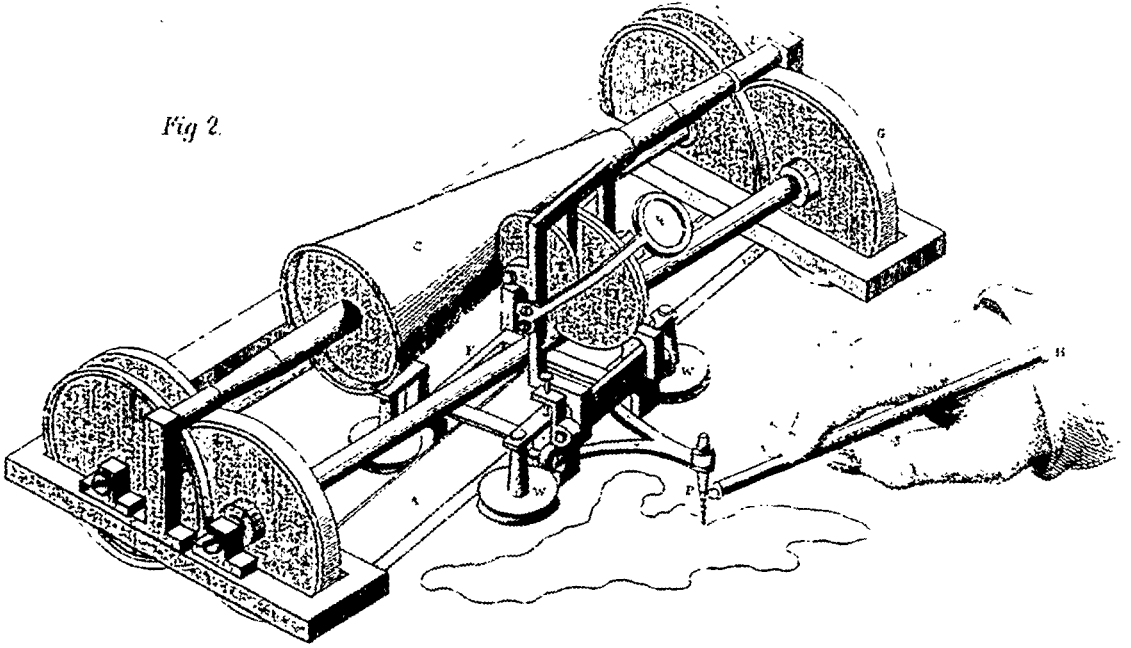
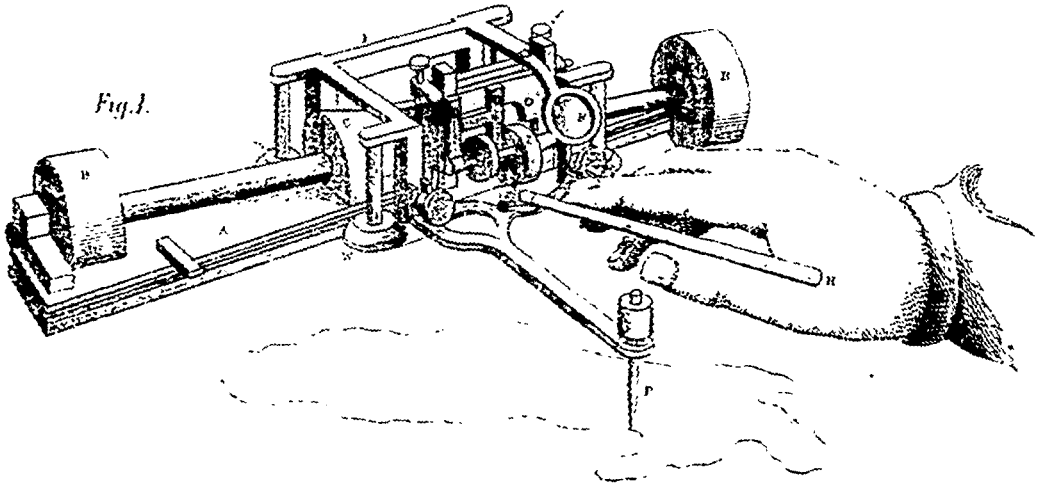


Fig. 1.



C 92282