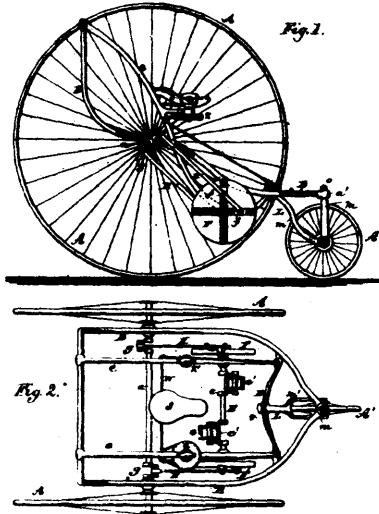
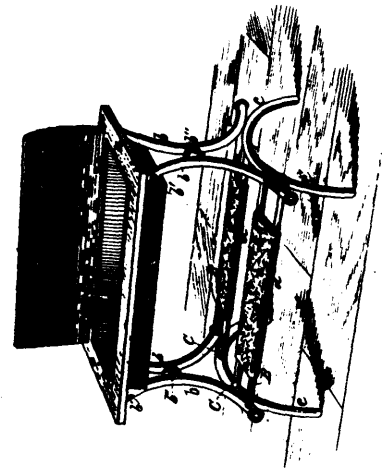


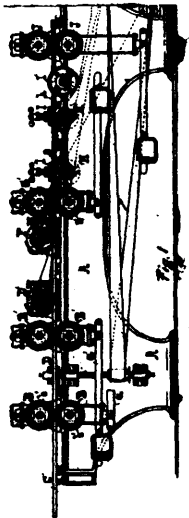
26315 Allen's Car Wheel.



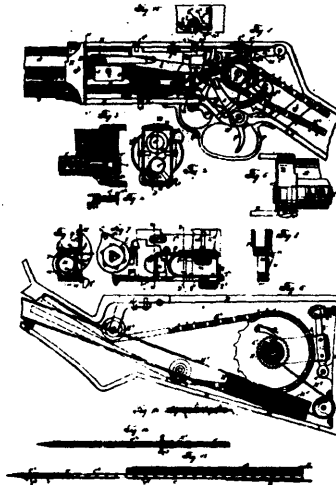
26316 Anderson's Tricycle.



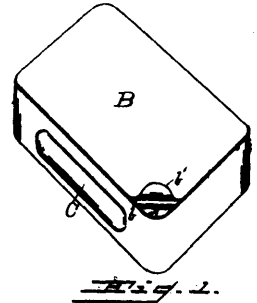
26317 Ordway's Foot Rest.



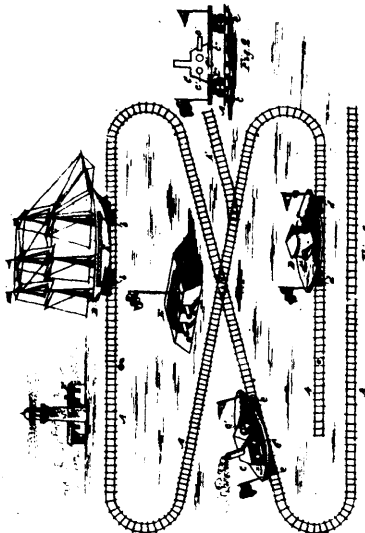
26319 Johnson's Machine for Making Flooring.



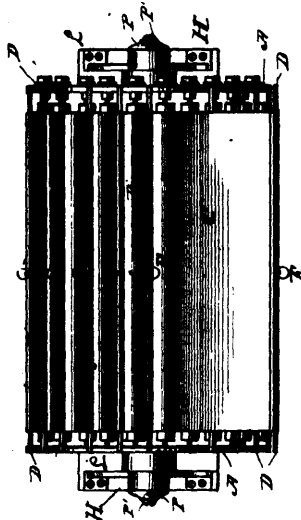
26320 Bees' Repeating Fire Arm.



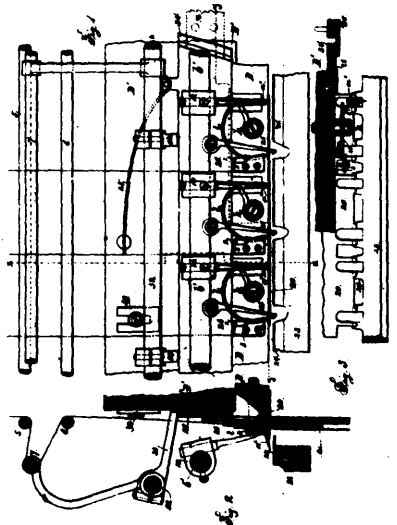
26321 Mullins' Paper Weight.



26322 Thayer's Pyrotechnic Display.



26323 Yeoman's Window Curtain Exhibitor.



26324 Reynolds' Machinery for Sewing Books.