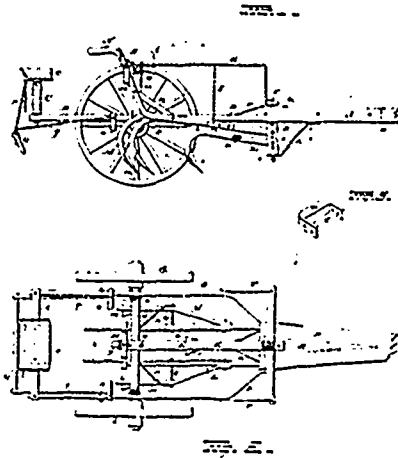
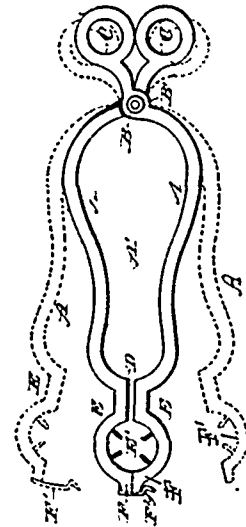


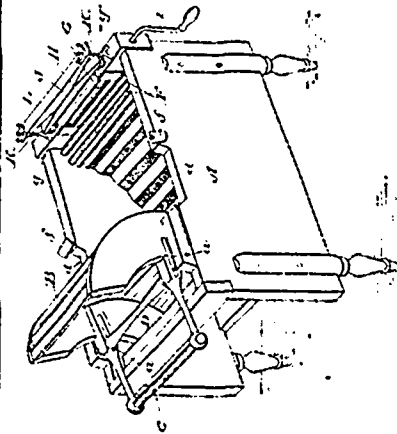
24830 Hughes' Steam or Hot Water Radiator.



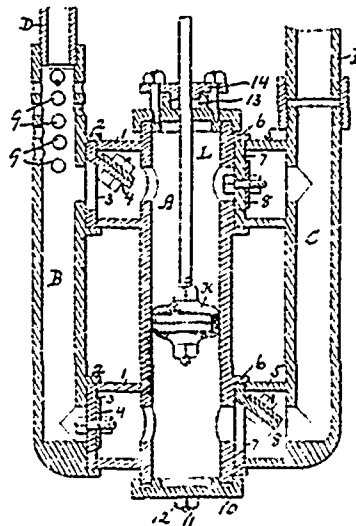
24831 Lloyd's Cultivator.



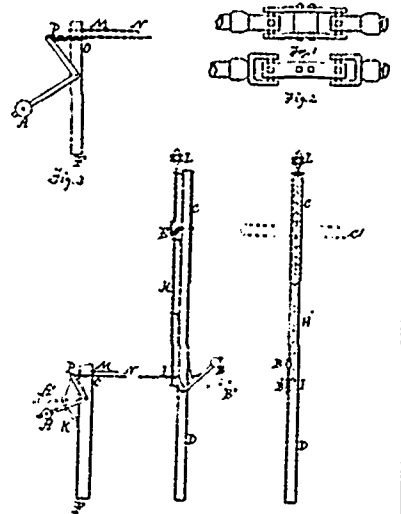
24832 Crittenden's Hopple.



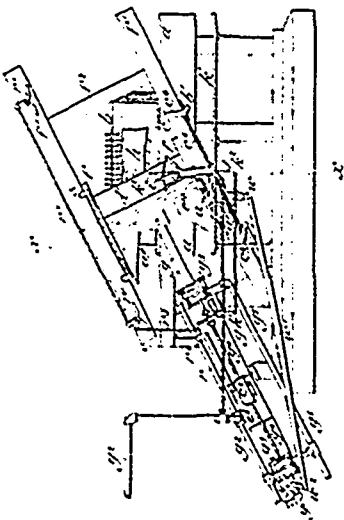
24833 Roulston & Fanning's Washing Machine.



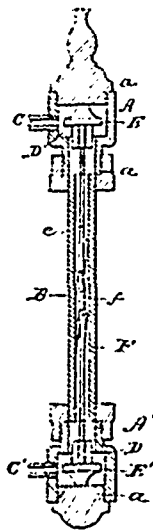
24834 Hood's Double Acting Force Pump.



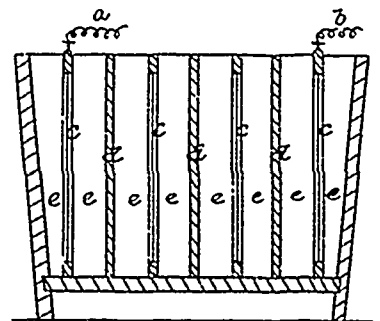
24835 Tapley's Semaphore.



24836 Smith's Machine for Cutting Lumber.



24837 Little's Gauge for Steam Boilers.



24838 Fabric's Apparatus for the Manufacture of Sugar by Electrolysis.