

DIAGRAMS ILLUSTRATING MR. KENNEDY'S LECTURE.

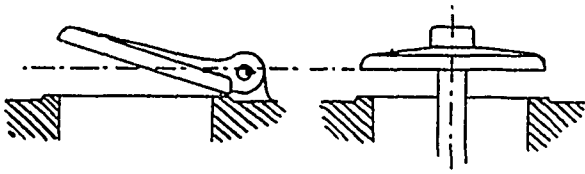


FIG. 1.

FIG. 2.

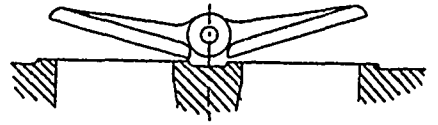
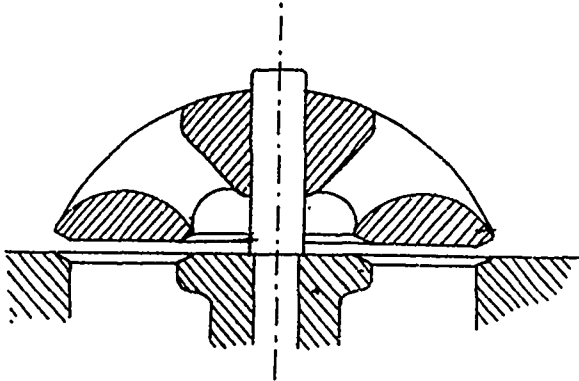
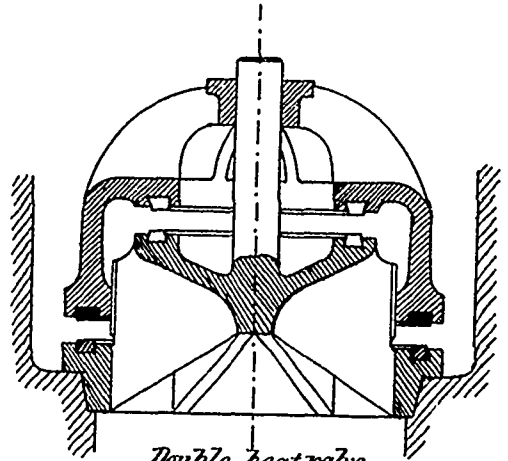


FIG. 3.



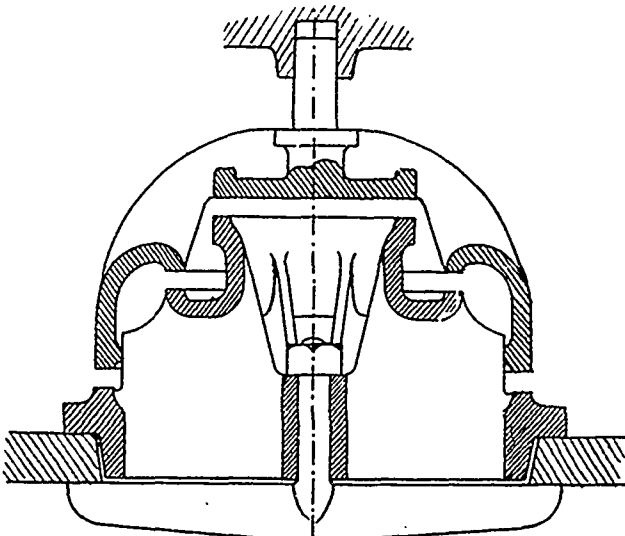
*Annular Valve*

FIG. 4.



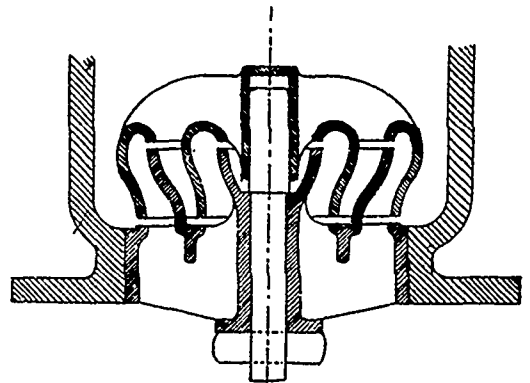
*Double-beat valve*

FIG. 5.



*Triple-beat valve*

FIG. 6.



*Four-beat valve*

FIG. 7.