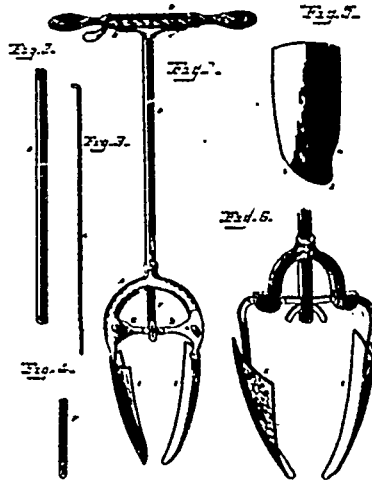
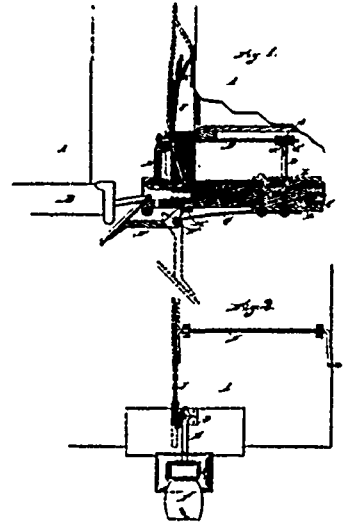


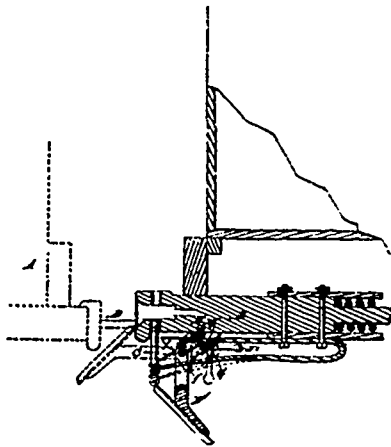
24156 Brownell's Packing for Valve Stems and Piston Rods.



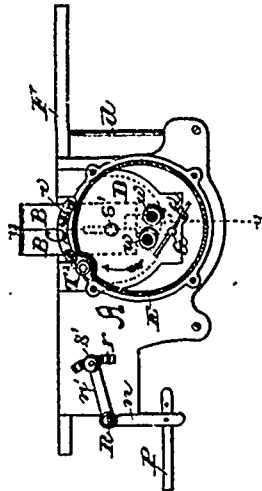
24157 Smith's Post Hole Auger.



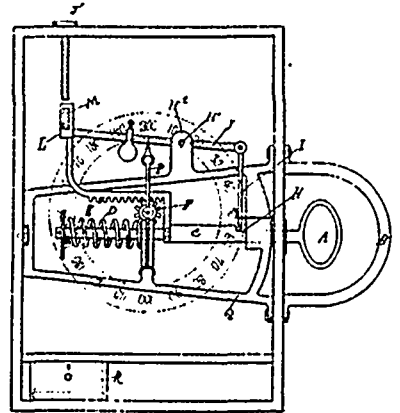
24158 Pettot & Noxon's Car Coupling.



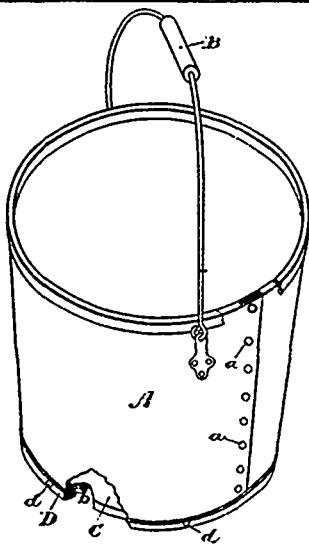
24159 Pettot & Noxon's Car-Coupling.



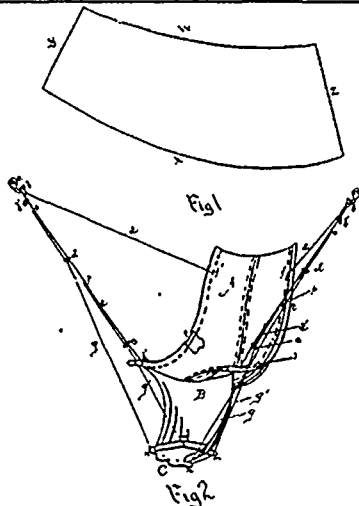
24160 Freeman's Broadcast Seed Sower.



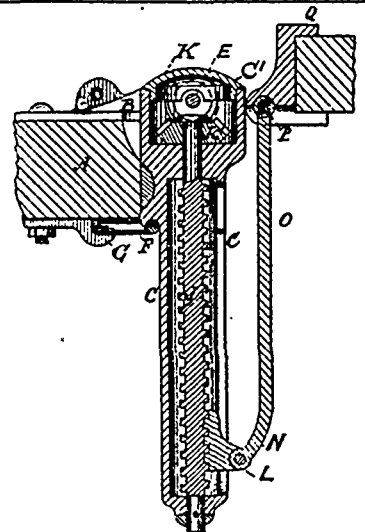
24161 Martel's Machine for Testing the Muscular Strength of the Hand and Arm.



24162 Brake's Fall, Tub, etc.



24163 Hook's Hammock Chair.



24164 Sargeant's Tipping and Balancing Attachment for Carts and other Vehicles.