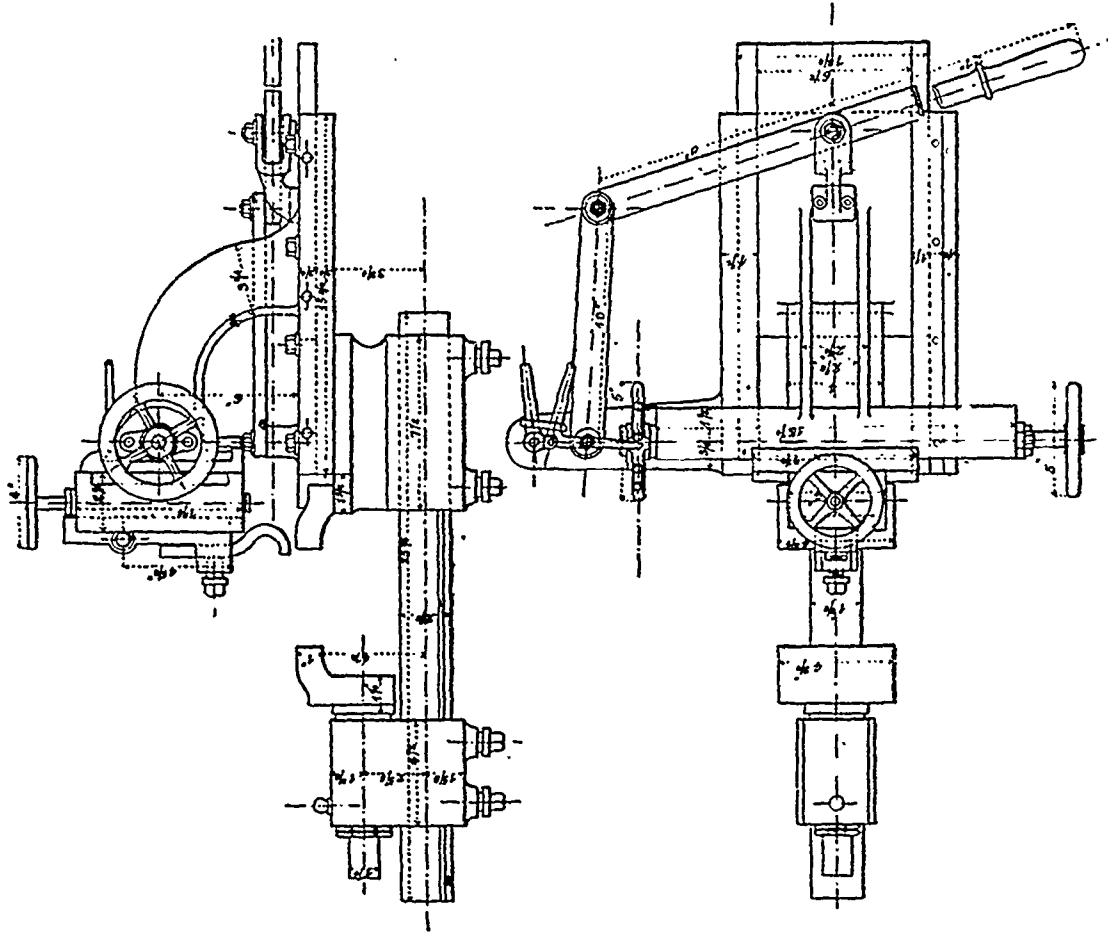


# The Canadian Patent Office RECORD AND MECHANICS MAGAZINE

Vol. II.—No. 6.

SEPTEMBER, 1874.

Price in Canada \$2.00 per An.  
United States - \$2.50 . "



HAND-WORKED SLOTTING MACHINE.