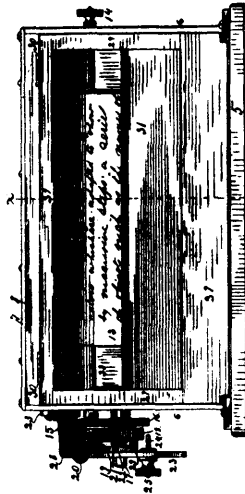
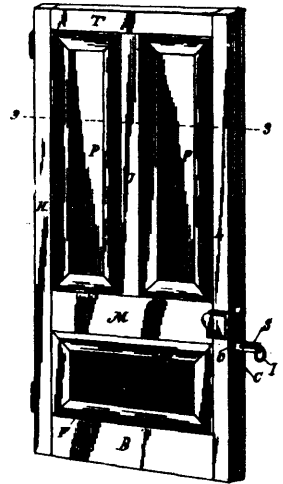


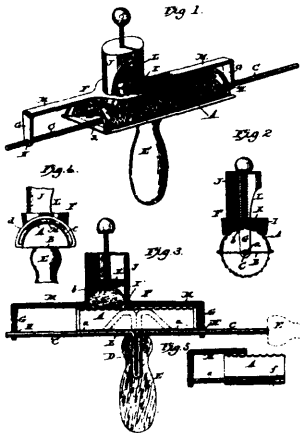
40151 Elliot's Spring Rail Frog.



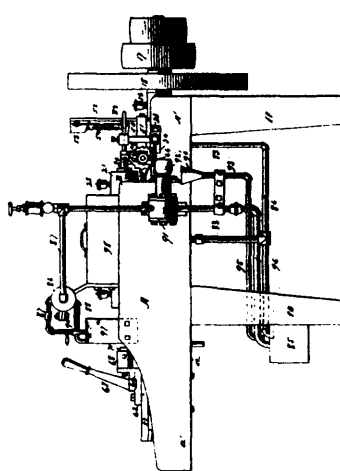
40152 Brunthaver and O'Connell's Copy Holder.



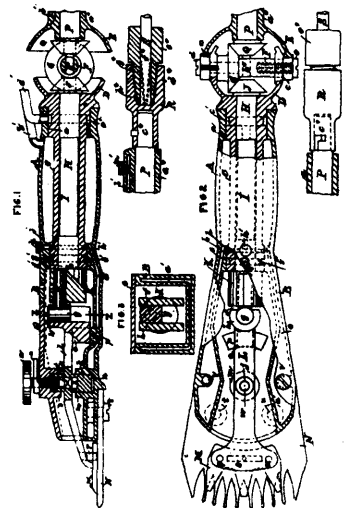
40153 Gregg's Door.



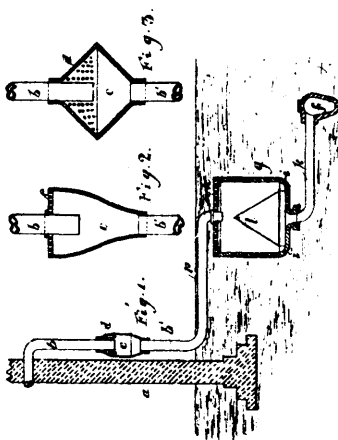
40154 Thomas' Grater.



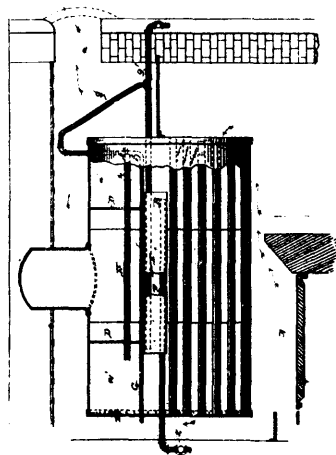
40155 Hubner's Machine for Threading Bolts.



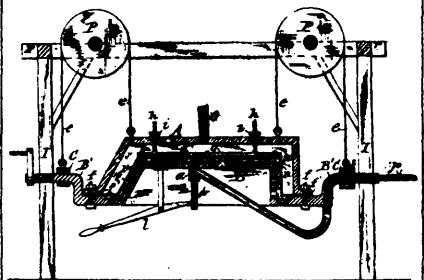
40156 Blanks, Lefebvre and Bird's Sheep-shearing Machine.



40157 Hoey's Appliance for Tapping Soil Pipes, Sewers, &c.



40158 Dougherty's Filter and Heater for Steam Boilers.



40159 King's Machine for Forming Hollow Ware from Pulp