

**Get a Beath LITTER CARRIER**

With the Beath Litter and Load Carrier you can save many hours a week. It carries all kinds of litter, and dumps it just where you want it. It is a decided improvement on other styles. No dog or brake required—an endless chain raises the load. All parts subject to strain are made of malleable iron. For sureness in operation, simplicity of construction and all-round excellence the Beath cannot be excelled. Send for catalogue and learn more about it.

**W. D. BEATH & SON, LIMITED.**  
Toronto, Ontario.  
Agents wanted in unrepresented districts.



**Synopsis of Canadian North-west Land Regulations.**

ANY person who is the sole head of a family, or any male over 18 years old, may homestead a quarter-section of available Dominion land in Manitoba, Saskatchewan or Alberta. The applicant must appear in person at the Dominion Lands Agency or Sub-Agency for the district. Entry by proxy may be made at any agency, on certain conditions, by father, mother, son, daughter, brother or sister of intending homesteader.

Duties—Six months' residence upon and cultivation of the land in each of three years. A homesteader may live within five miles of his homestead on a farm of at least 80 acres, solely owned and occupied by him, or by his father, mother, son, daughter, brother or sister. In certain districts a homesteader in good standing, may pre-empt a quarter-section alongside his homestead. Price, \$3.00 per acre. Duties—Must reside six months in each of six years from date of homestead entry (including the time required to earn homestead patent) and cultivate fifty acres extra.

A homesteader who has exhausted his homestead right, and cannot obtain a pre-emption, may take a purchased homestead in certain districts. Price, \$3.00 per acre. Duties—Must reside six months in each of three years, cultivate fifty acres, and erect a house worth \$300.00.

W. W. CORY,  
Deputy of the Minister of the Interior.  
N. B.—Unauthorized publication of this advertisement will not be paid for.

**Sold on Commission**

Farmers wishing to sell their farms should communicate with us. We make a specialty of this, and have constant inquiry for good Stock, Grain and Fruit Farms.

ADDRESS:  
**The UNION TRUST COMPANY, Ltd.**  
Real-estate Department,  
174 176 Bay St., TORONTO, ONT.

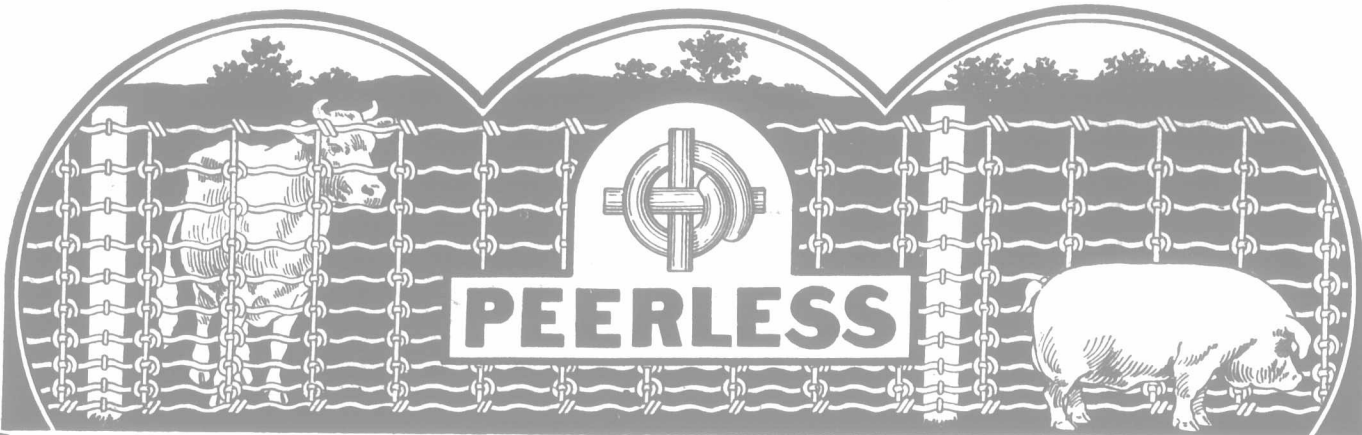


**Build Concrete Silos**

Any size and the London Agency, 19 Marmora Street, London, Ontario, are the sole agents. We manufacture a complete line of Concrete Machinery. Call us for quotations.

**London Concrete Machinery Co., Ltd., 19 Marmora Street, London, Ontario.**  
The sole manufacturers of Concrete Machinery in Canada.

Advocate Advertisers Reap Results.



**Don't Buy Any Wire Fence Till You Know It Will Last and Give Good Service for Years**

**TEST IT. PROVE IT.**

We have always exercised great care in regard to the quality of wire entering into the construction of our PEERLESS Fencing. Our product is evidence of this.

We have spent much time and money experimenting with different kinds and makes of fence wire. We are now prepared to give our customers the benefit of our experience.

We find that English-made wire (that is wire made by English manufacturers expressly for our purpose) is superior to any fence wire made in this country. This is specially so in regard to the galvanizing. It will stand more than double the endurance, when sub-

mitted to what is known to the "ACID TEST," as compared with American or Canadian made wire.

English manufacturers are noted the world over for their thoroughness. In the manufacture of wire they are past masters—they are not new beginners—they have made galvanized wire to stand the salt, foggy English climate—they have a hundred years' experience back of them. American or Canadian made wire, under like conditions, rusts in a few months' time.

We have used this English wire to a limited extent for some time past. We are now making our all No. 9 PEERLESS Fence from this wire, and will,

at your request, be pleased to send you samples of this wire, and give you full particulars as to how you may test it, or any other wire you may choose.

TEST and PROVE any wire fence to your own satisfaction before buying it.

LAST. A fence that you know will last. Don't be deceived into investing in a fence with any soft or light wire in it. "A chain is only as strong as it is at its weakest link."

Our No. 9 PEERLESS Fence is made from heavy, hard steel wire for both the upright and horizontal wires, with a No. 9 lock—neat, compact and non-slipable.

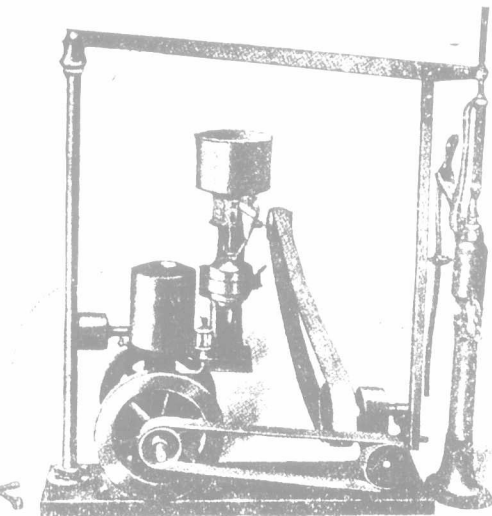
**PEERLESS, THE FENCE THAT PROVES**

**BANWELL HOXIE WIRE FENCE COMPANY, LIMITED,**

Makers of Farm, Poultry and Ornamental Fence and Gates,  
DEPARTMENT A. HAMILTON, ONT. WINNIPEG, MAN.

**IDEAL GASOLINE ENGINES**

1/2 TO 40 HORSE-POWER.



Windmills,  
Grain Grinders,  
Pumps,  
Tanks,  
Water Boxes,  
Concrete Mixers,  
Etc., Etc.

Send for catalogue.

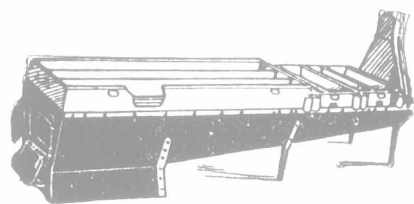
**GOOLD, SHAPLEY & MUIR CO., LIMITED,**

Brantford, Canada.

**The Razor Steel, Secret Temper, Cross-Cut Saw.**

WE take pleasure in offering to the public a saw manufactured of the finest quality of steel, and a temper which toughens and refines the steel, gives a keener cutting edge, and holds it longer than by any process known. A saw to cut fast must hold a keen cutting edge. This secret process of temper is known and used only by ourselves. These saws are set up to ground thin back, requiring less set than saws now made perfect taper from tooth to back. Now we ask you when you go to buy a saw to ask for the Razor Steel, Secret Temper Saw. When you are told that some other saw is equal to ours, we challenge you to let you take them both, and use them, and keep the one that is best. Saw sets are made in lengths of 10, 12, 14, 16, 18, 20, 22, 24, 26, 28, 30, 32, 34, 36, 38, 40, 42, 44, 46, 48, 50, 52, 54, 56, 58, 60, 62, 64, 66, 68, 70, 72, 74, 76, 78, 80, 82, 84, 86, 88, 90, 92, 94, 96, 98, 100 feet. Thousands of these saws are shipped to the United States and sell at a higher price than the best American saws. Made in Canada only.

SHURLY & DIETRICH, GALT, ONT.

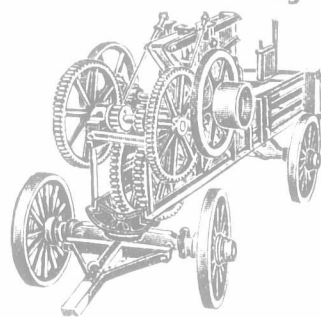


**FREE TO SYRUP-MAKERS!**

Get our free illustrated booklet at once. It contains all the information you need about syrup-making, etc. Write us today. A post card places you under no obligation. The Champion Evaporator is a medal winner. Look on the results at most of the fairs, and you will see that in nearly every case where syrup evaporators are exhibited, the "Champion" captured over two-thirds of the prizes. We make the size you need. Think it over.

**THE GRIMM MFG. CO.,**  
58 Wellington St., Montreal.

**100 MEN WANTED TO SELL THE Columbia Hay Press**



We guarantee it the best belt press made or no sale. Capacity, 50 tons in 10 hours. Write for full descriptive and agency.

**COLUMBIA HAY PRESS COMPANY,**  
Kingsville, Ontario.

**FURS** Do you trap or buy furs? I am Canada's largest dealer, I pay highest prices. Your shipments solicited. I pay mail and express charges; remit Sheepskins, etc. Quotations and shipping tags sent free.

**JOHN HALLAM, TORONTO**