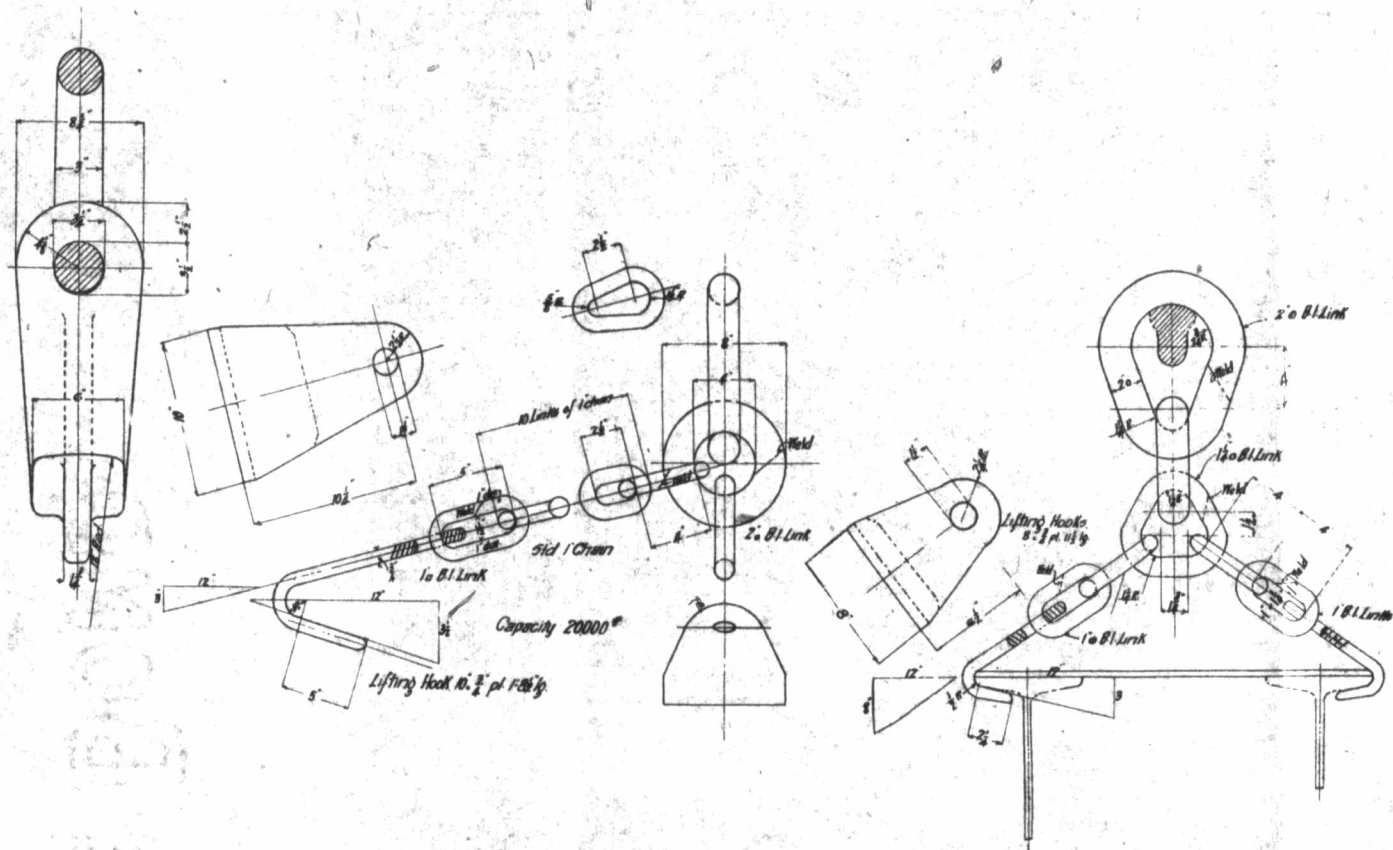


- Steel Cast Lifting Hooks -  
- Capacity 30000 per pair -



National Transcontinental Railway  
Eastern Division - District A  
Little Salmon River Viaduct  
Erection Traveller  
- Details of Lifting-Hooks -