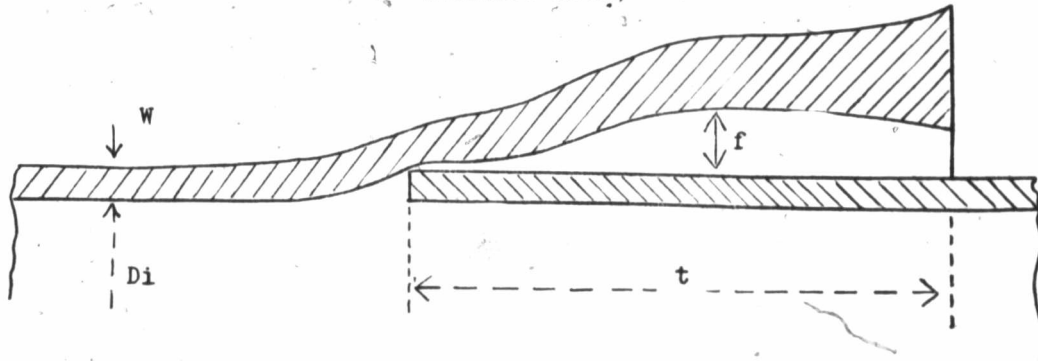


MANNESMANN SOLID DRAWN WELDLESS SPIGOT AND FAUCET PIPES
(REINFORCED SOCKET)



NOMINAL INT. DIAM. DI.	THICKNESS OF PIPE WALL W	PACKING SPACE		APPROXIMATE WEIGHT PER FOOT	PRICE PER FOOT
		LENGTH t	WIDTH f		
1½ inch	.118"	3¼"	.275"	2.6 lbs	
2 "	.118"	3⅜"	.295"	3.3 "	
2½ "	.118"	3½"	.295"	3.7 "	
3 "	.137"	3½"	.295"	5.3 "	
4 "	.157"	4½"	.295"	7.8 "	
5 "	.157"	4⅝"	.295"	9.4 "	
6 "	.177"	4¾"	.295"	12.8 "	
7 "	.197"	5 "	.295"	16.8 "	
8 "	.216"	5¼"	.315"	20.2 "	
9 "	.256"	5¼"	.315"	26.9 "	
10 "	.275"	5½"	.335"	31.6 "	
11 "	.285"	5¾"	.335"	36.6 "	
12 "	.305"	5⅞"	.335"	43.0 "	

LENGTH

Random lengths from 20 to 40 feet if not otherwise specified.

WEIGHTS

The weights given include wrapping, pipes without wrapping about 5% to 7½% less weight according to size of pipe.