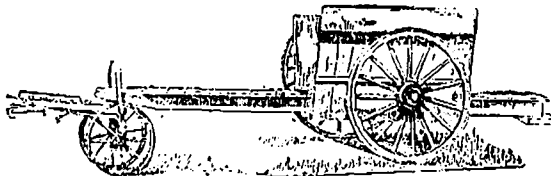




Farm Wagon.

ONE of the most convenient of farm wagons is represented by the following illustration. The general plan of construction is pretty clearly shown. The front wheels are very low, and the forward end of the body rests on the bolster. The hind wheels are the ordinary height of hind wagon wheels, and the axletree may either pass directly through and the frame hung to it, or it may be of iron and bent, passing under, thus putting it out of the way, and leaving the platform entirely clear. Planks or boards according to the strength required, are nailed across, and a stout plank bolted to the under side of the bed pieces at the rear end forms a step for easily getting upon the platform. The sides opposite the hind wheels are to keep the load from obstructing the latter. The plan of this wagon is very simple, and almost any one should be able to construct it. The front wheels are supposed to turn under the bed pieces, making short turns possible.



THE HICKS LOW DOWN WAGON.

The uses to which such a wagon may be put on a farm are various. One of the most common is the carting of green corn, either for ensilage or soiling purposes. One man can load and unload articles on this that would tax the strength of two men with the ordinary farm wagon. Mr. Hicks illustrated this by saying that when drilling grain, one man would load the fertilizer and bags of grain on his wagon, hitch the drill on behind, and go to the field and unload alone. With the ordinary wagon, two men were required. For drawing potatoes in sacks, boxes or baskets, apples in barrels, in short, anything heavy requiring a wagon, for its transportation, this wagon is just the thing, saving the high lifting and straining necessary to load the common wagon.

Eaves, Troughs and Hangers.

ALL farm, or other buildings, should have eaves troughs, especially over all doors or passage-ways. Not all house owners can afford to provide metal troughs, but serviceable wooden



FIG. 1. BENCHES FOR MAKING EAVES TROUGHS.

ones may be supplied at little expense. The best ones are usually made from a long, straight sapling of some durable wood, such as pine, cedar or chestnut. A stick is obtained of the desired length, and not over five inches in diameter at the top, one side is flattened down to at least four inches across the small end, and all bark removed, and if the large end is more than seven inches in diameter, it should be

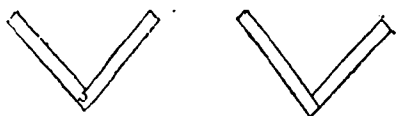


FIG. 2.

FIG. 3.

EAVES TROUGH MADE OF TWO BOARDS.

shaved down to that size or even smaller, which can be easily done by the use of a clamp to hold

it on the benches shown in Fig. 1. When the proper size is obtained, it is clamped in the position shown, and, by the use of a light axe-hatchet and gauges, a channel is excavated. With straight-grained timber, free from knots, this work is quickly done, and should be finish-

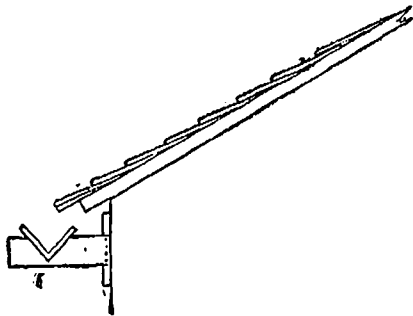


FIG. 4. WOODEN BRACKET FOR TROUGH.

ed smooth inside by the use of a short plane. When completed, it should be kept under shelter for several months, or placed bottom up out of doors. Care should be taken that it does not twist or warp. After it is seasoned, apply two coats of oil, and it is good for at least twenty-five

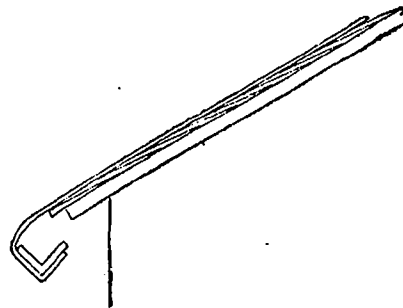


FIG. 5. INEXPENSIVE IRON HANGER.

years' service by simply applying a coat of oil to the inside, and paint to the outside every ten years. If no suitable timber is at hand, obtain well-seasoned pine, or other durable lumber three quarters of an inch thick and five inches wide. Make a tongue and groove, putting together with nails in the form shown in Fig. 2, filling the grooves with paint before it is put together. Another manner is shown in Fig. 3, paint being applied at the junction before nailing. Use tenpenny wire nails, placing them about eight inches apart to prevent all danger from leakage. All forms of eaves troughs may be cheaply attached to buildings by the use of wooden brackets, as in Fig. 4, care being taken to secure the end of the bracket firmly to



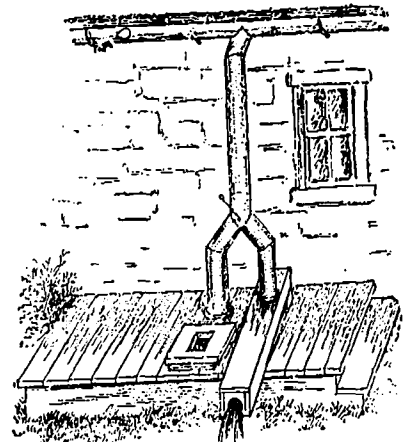
FIG. 6. EXCAVATED EAVE TROUGHS.

the building. A worn-out buggy tire, bent in the form as indicated in Fig. 5, makes a neat looking and secure fastening. A hole should be made in the iron where it comes in contact with the trough for putting in a screw or nail. Fig. 6 has sectional views of the solid trough, which may have either a circular or V-shaped cavity. An active man can make these in a very short time and at small expense.—L. D. SNOOK, in *American Agriculturist*.

Overflowing of Cisterns.

FARMERS often have trouble during heavy rains in keeping their cisterns from overflowing. A dampness near the house causes a damp, wet cellar, which should be strenuously avoided. The accompanying illustration, from a sketch by J. W. Caughey, presents a plan for avoiding such overflowing cisterns. A forked pipe is fastened into the rain gutter or receiver from the roof. At the junction of the two arms or switch pipes there is a shut-off which is operated by a wire rod, which, as it appears in the

illustration, turns the obstruction plate within the pipe and stops its entrance into the cistern when the latter is considered full enough. The

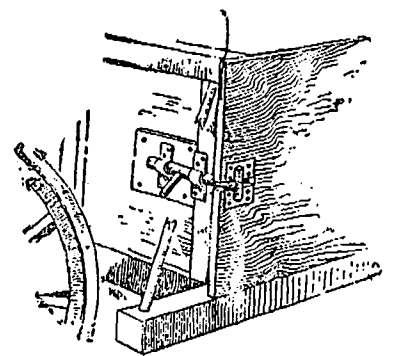


DEVICE FOR PREVENTING CISTERNS FROM OVERFLOWING.

other pipe carries the water away into a drain or ditch that is properly made and covered. This keeps everything dry about the house, and the annoyance so often seen on the farm in wet weather is avoided. The cistern is located back of the kitchen, under the platform and step of the porch, being at hand when water is wanted, adding much in the convenience to the housewife and saving the labor of carrying it from a barrel or other receptacle near the house, set out to catch the water. This arrangement can be made at any tin store. It is best made of galvanized iron, which will not rust or wear out as easily as tin, and will last for years.

Tail Board Fastener.

THE accompanying illustration was recently seen in use upon a cart that was made for the carriage of heavy loads, and worked so well that its general use is commended. Where the



"tail-board" is fitted in behind two upright rounds of wood, a heavy load presses out so hard upon the board as to make it difficult to move. One end may be retained in the old way, and the device that is shown, made of half-inch round iron, placed upon the other end, the convenience of which will be appreciated when it is in use.

It will pay to be always on the lookout for new varieties of potatoes, but not to discard the kinds in use until satisfied with the new

On small tracts of land it is possible to keep bees, poultry and fruit trees on the same location with profit, but such work can only be done by those who are experienced, and who well understand what is required for success.

WATERING with a liquid composed of one bushel of lime and one bushel of soot, in 100 gallons of water, proved a valuable remedy for the carrot grub, according to the claims of an English gardener. The mixture was well stirred, allowed to stand over night, and the clear water then applied with a watering pot.