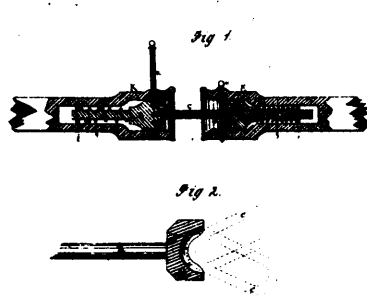
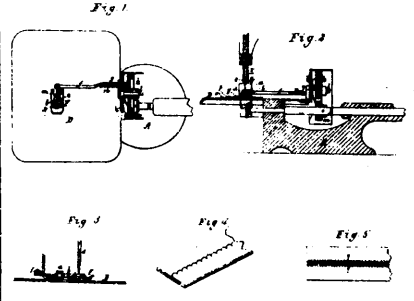


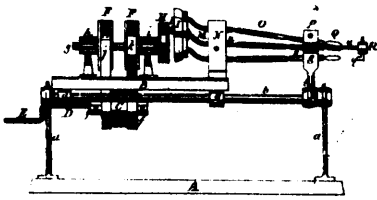
4493 Roe's Machine Belt Buckle or Fastener.



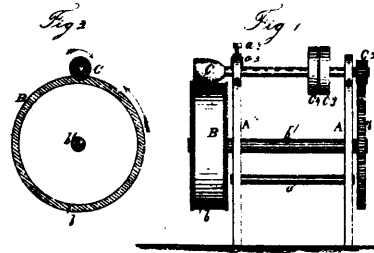
4495 Pettengill's Automatic Car-coupler



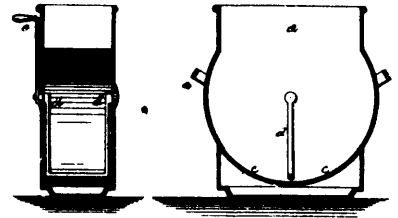
4496 Howard's Hem-stitching Attachment to Sewing Machines.



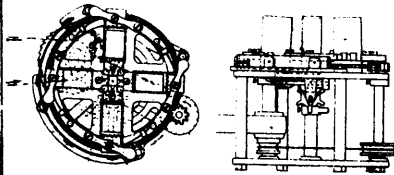
4497 Ritche's Brush Block Boring Machine.



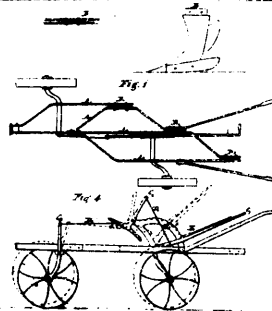
4498 Coté's Machine for Bending and Forming Stiffeners for Boots and Shoes.



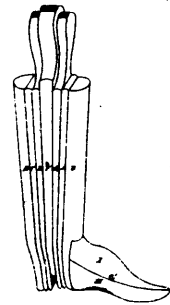
4499 Anderson's Boiler Washing Machine.



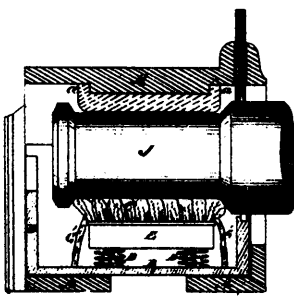
4500 Paradis' Shingle Machine.



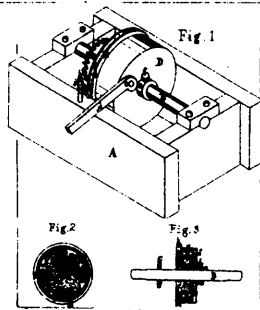
4501 Richardson & McInnes' Improvements on Ploughs.



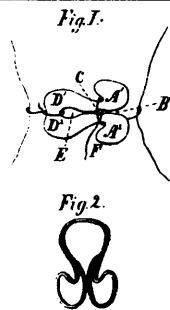
4502 Feick's Felt Boot Tree.



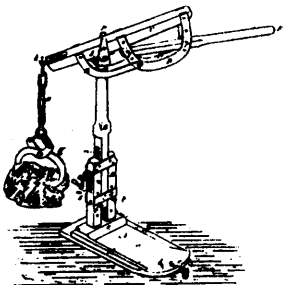
4503 Houlton & Osburn's Car Axle Box.



4504 Close's Improvements in Friction Catch Wheels.



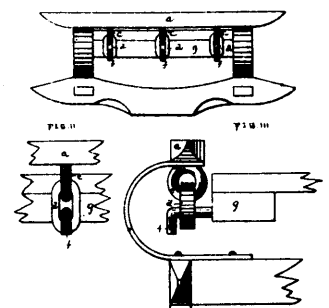
4505 Collins' Bag Tie and Fastener.



4508 House's Stump Extractor and Stone Puller.



4509 Jones' Improvements in Pumps.



4510 Foster's Spring for Vehicles.