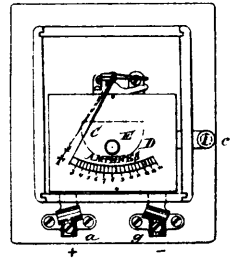


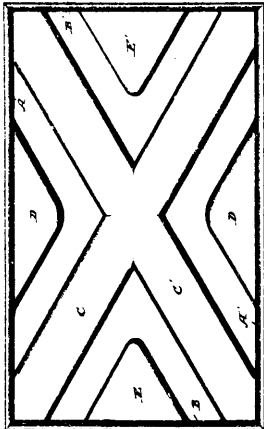
42439 Grammer's Shaft Tug.



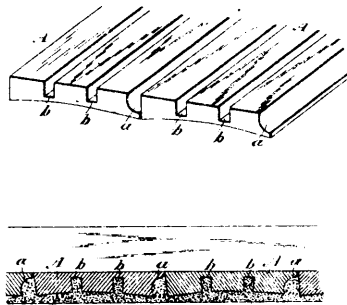
42440 Simmons' Snap and Buckle.



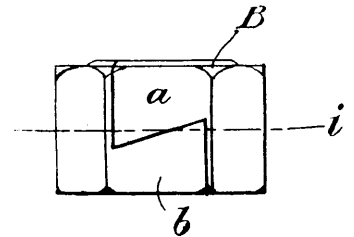
42441 Wood's Electric Measuring Instrument and Current Direction Indicator.



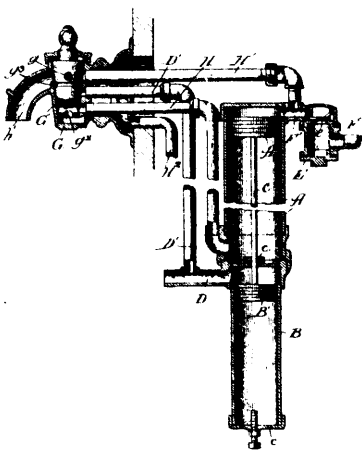
42442 Brunson's Side Walk.



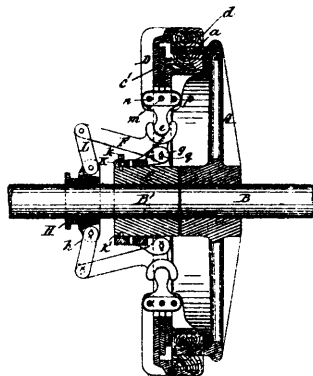
42443 Toney's Lath.



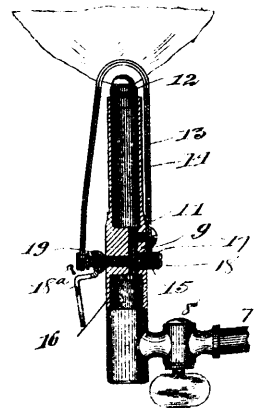
42444 Burdick's Nut.



42445 Weatherhead's Pump.



42446 Munro and Claussen's Friction Clutch.



42447 Spear's Gas Burner.