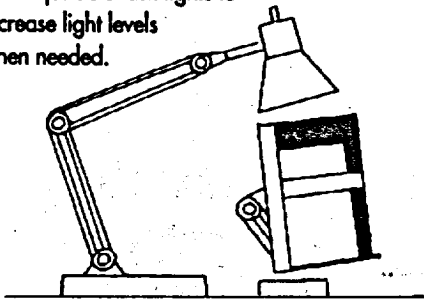


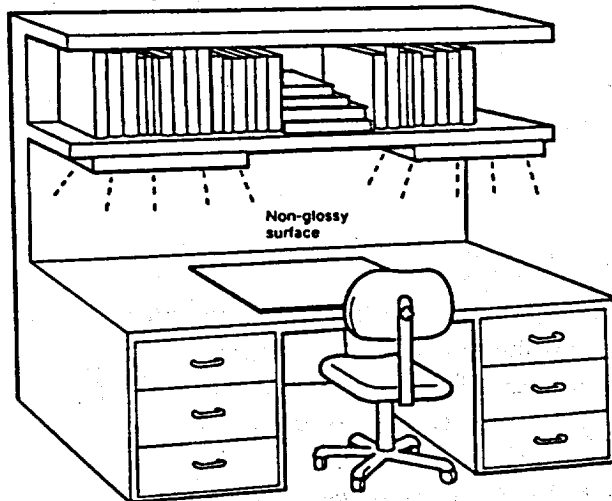
Use adjustable task lights to increase light levels when needed.



Use indirect lighting to eliminate shadows.

Where general lighting is not adequate, task lighting can provide brighter, localized lighting for reading and writing. The task light should be positioned so that the light is distributed evenly across the desk.

Undershelfing strip fluorescent lights are prone to excessive levels of lighting and glare. Fixtures that reduce reflections should be selected. It is better to have two smaller units located on each side of the shelf.



If glare cannot be eliminated by other means, anti-glare screens can be attached to the front of the monitor. If you use one, keep it dust-free to prevent reduction of image clarity on the screen.

