

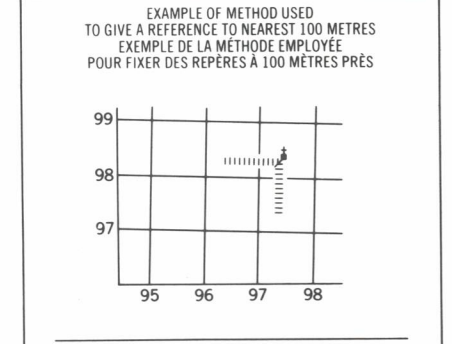
60°15'
60°10'
60°05'
60°00'

LEGEND - LÉGENDE

Legend table with two columns: English and French descriptions of symbols for roads, railways, buildings, water features, and boundaries. Symbols include lines for roads, dashed lines for railways, and various shapes for buildings and water bodies.

PHOTOGRAPHY PHOTOGRAPHIE table with columns for COMPILATION and RESTITUTION. It lists grid coordinates and dates for various photographic compilations.

GRID ZONE DESIGNATION table showing the 18V grid zone and 100,000 M SQUARE IDENTIFICATION (UB, VB).



REVISION table with columns for REVISION and REVISION. It lists grid coordinates and dates for various revisions.

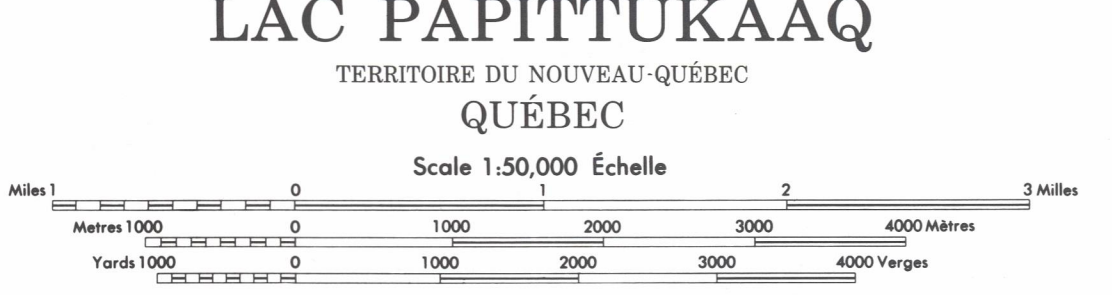
REFERENCE POINT CHURCH - EGLISE (see above) POINT DE RÉFÉRENCE ÉGLISE (voir ci-dessus). EASTING: Read number on grid line immediately to left of point. LONGITUDE: Read number on grid line immediately to left of point. Estimate tenths of a square from this line eastward to point. Estimate the number of squares of the grid between this line and the point in direction east. NORTHING: Read number on grid line immediately below point. LATITUDE: Read number on grid line immediately below point. Estimate tenths of a square from this line northward to point. Estimate the number of squares of the grid between this line and the point in direction north. GRID REFERENCE EXAMPLE (EXEMPLE DU QUADRILLAGE) 979884. Means: Point grid reference 100,000 metres above 67 metres. (La planche référence indique un point à 100,000 mètres au-dessus de 67 mètres.)

Grid reference table with columns for 35 C/6, 35 C/7, 35 C/8, 35 C/3, 35 C/2, 35 C/1, 34 N/14, 34 N/15, 34 N/16.

ONE THOUSAND METRE UNIVERSAL TRANSVERSE MERCATOR GRID ZONE 18 QUADRILLAGE DE MILLE MÈTRES UNIVERSAL TRANSVERSE DE MERCATOR. The 1979 MAGNETIC BEARING is 27°59' (498 mils) WEST of GRID NORTH. ANNUAL CHANGE DECREASING 12.2'. GRID NORTH is 1°31' (27 mils) WEST of TRUE NORTH for centre of map. Le REPERE MAGNÉTIQUE en 1979 est à 27°59' (498 mils) OUEST ou NORD DU QUADRILLAGE. VARIATION ANNUELLE DÉCROISSANTE 12.2'. NORD DU QUADRILLAGE est à 1°31' (27 mils) à l'ouest du NORD GÉOGRAPHIQUE au centre de la carte.

PRODUCED BY THE SURVEYS AND MAPPING BRANCH, DEPARTMENT OF ENERGY, MINES AND TECHNICAL SURVEYS, OTTAWA. 1979 INFORMATION CURRENT AS OF 1955. COPIES MAY BE OBTAINED FROM THE CANADA MAP OFFICE, DEPARTMENT OF ENERGY, MINES AND TECHNICAL SURVEYS, OTTAWA, OR YOUR NEAREST MAP DEALER. © 1979 HER MAJESTY THE QUEEN IN RIGHT OF CANADA, DEPARTMENT OF ENERGY, MINES AND TECHNICAL SURVEYS.

ELEVATIONS IN METRES ABOVE MEAN SEA LEVEL. CONTOUR INTERVAL 10 METRES. NORTH AMERICAN DATUM 1927. TRANSVERSE MERCATOR PROJECTION.



ELEVATIONS IN METRES AU-DESSUS DU NIVEAU MOYEN DE LA MER. ÉQUIDISTANCE DES COURBES 10 MÈTRES. SYSTÈME DE RÉFÉRENCE GÉODÉSIQUE NORD-AMÉRICAIN 1927. PROJECTION TRANSVERSE DE MERCATOR.

ÉTABLI PAR LA DIRECTION DES LEVÉS ET DE LA CARTOGRAPHIE, MINISTÈRE DE L'ÉNERGIE, DES MINES ET DES RESSOURCES, OTTAWA, EN 1979. LES RENSEIGNEMENTS SONT ACTUELS EN 1955. CES CARTES SONT EN VENTE AU BUREAU DES CARTES DU CANADA, MINISTÈRE DE L'ÉNERGIE, DES MINES ET DES RESSOURCES, OTTAWA, CHEZ LE VENDEUR LE PLUS PRÈS. © 1979 SA MAJESTÉ LA REINE DU CHEF DU CANADA, MINISTÈRE DE L'ÉNERGIE, DES MINES ET DES RESSOURCES.

