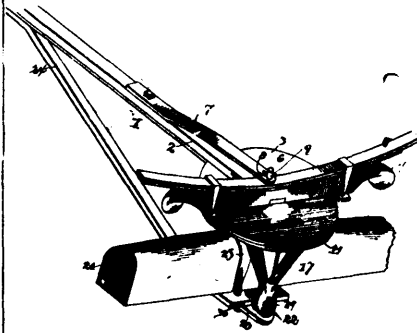
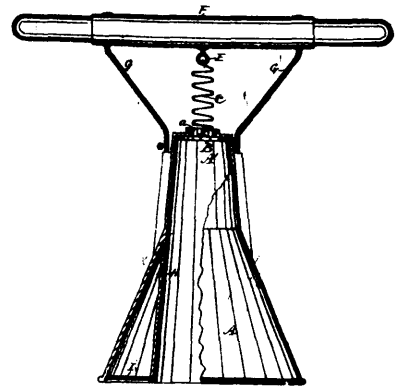


34182 Blasing's Ornament for Jewelry.

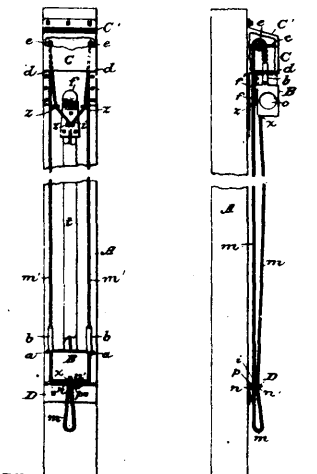


34183 Williams & Capps' Fifth Wheel.

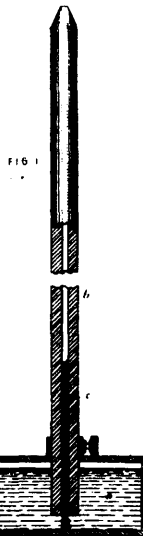


34184 Coleman's Washing Machine.

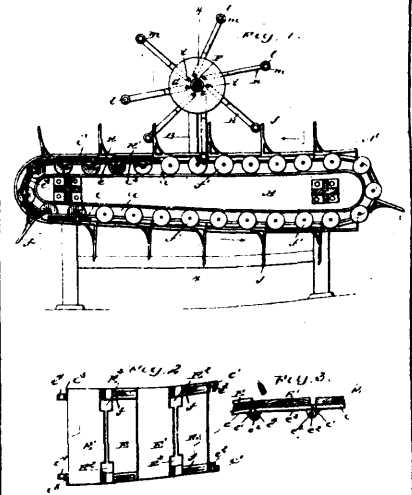
Fig. 1. Fig. 2.



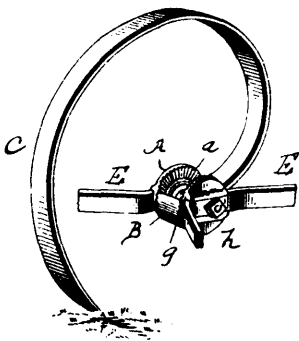
34185 Barnes' Signal Appliance.



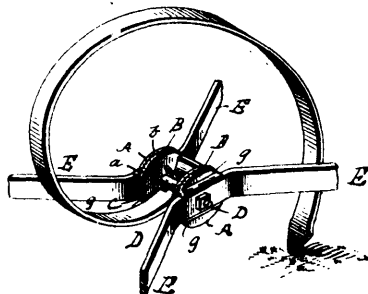
34186 Saunderson's Electric Arc Lighting.



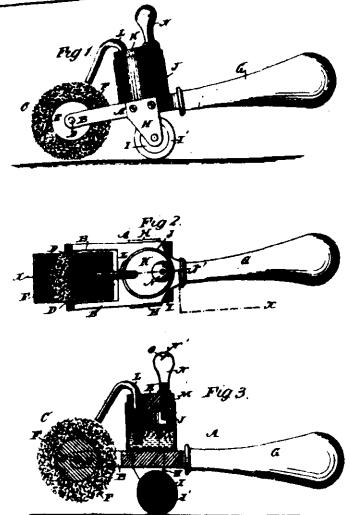
34187 Bensing's Tile or Brick Cutting Table.



34188 Hench & Dromgold's Harrow.



34189 Hench & Dromgold's Harrow.



34190 Hathaway's Apparatus for Sealing Gummed Paper.