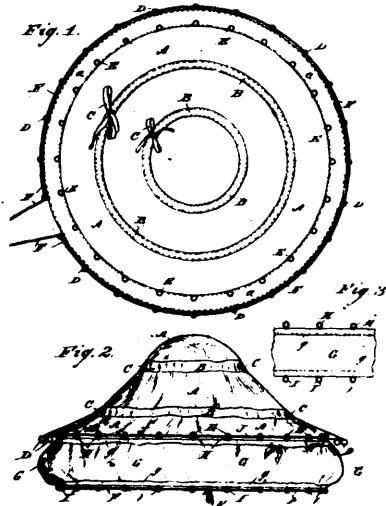
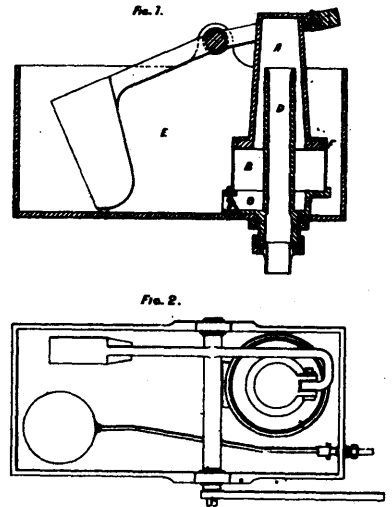


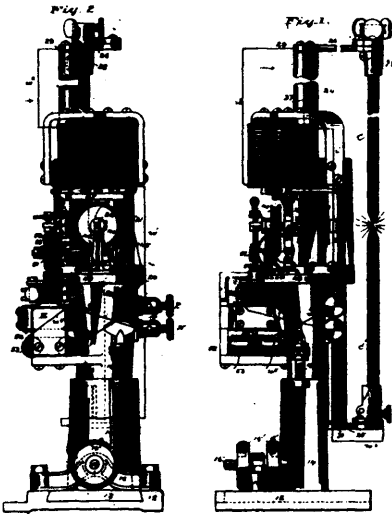
26325 Hughes' Fastening for Dental Flasks



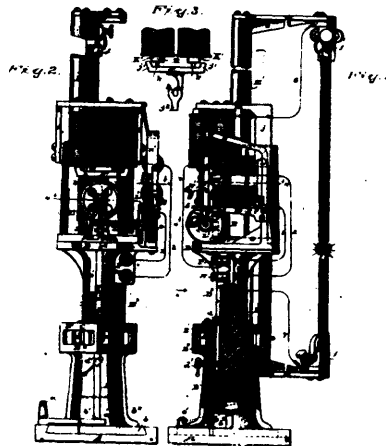
26326 Hopkirk's Hat Protector.



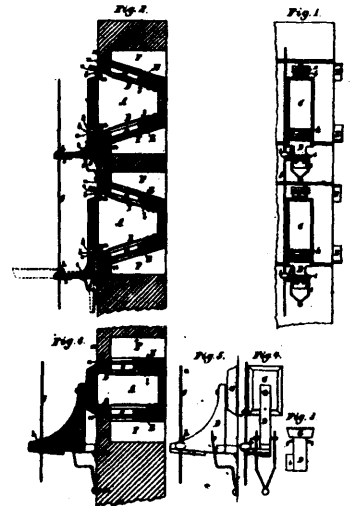
26328 Davis' Water Regulator for Closets, etc.



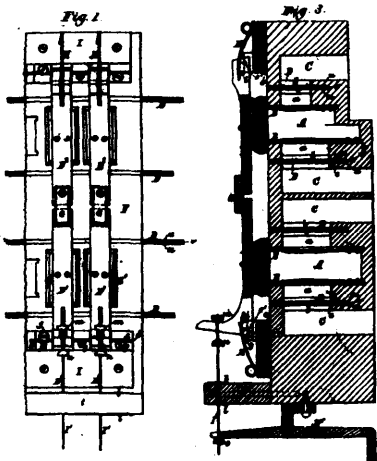
26329 Pyle's Electric Arc Lamp.



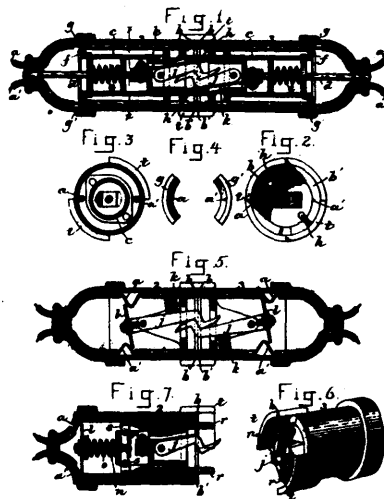
26330 Pyle's Electric Arc Lamp.



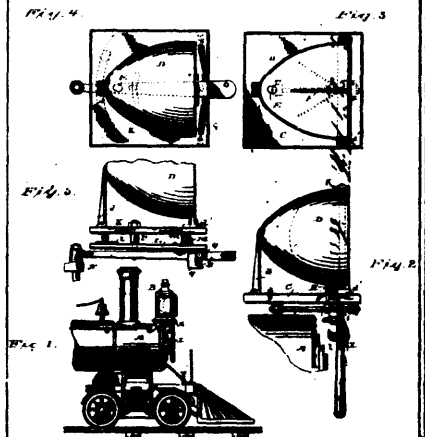
26331 Hamilton's Reed Organ.



26332 Hamilton's Reed Organ.



26333 Haulon's Train Signalling Apparatus.



26334 Pyle's Locomotive Head Light.